

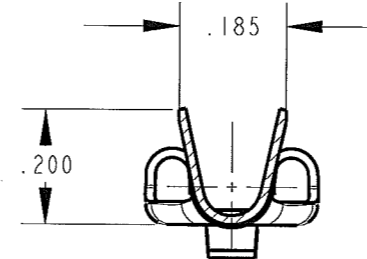
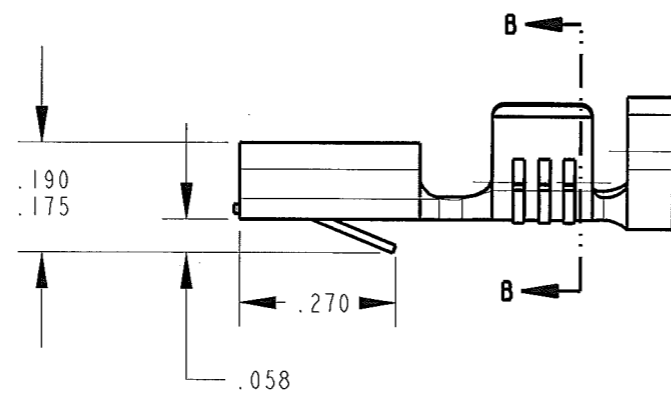
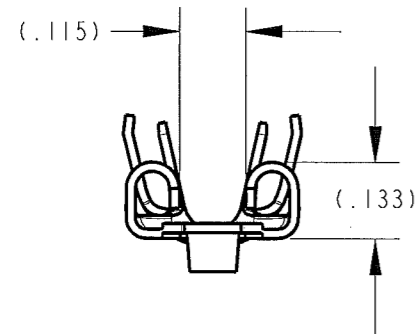
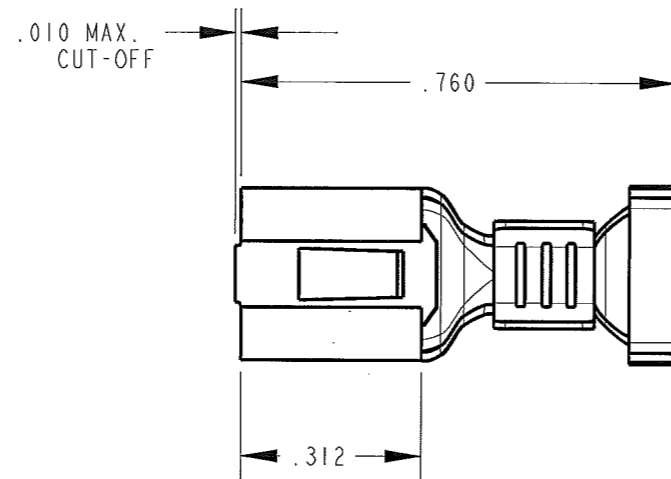
CUSTOMER DRAWING

P/N: 3000H 112A/

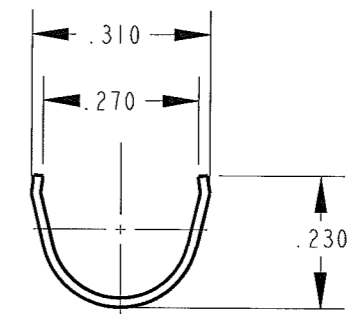
REV  
M

PART NO.	MATERIAL	FINISH
3000H 112A	.016 ±.0007 BRASS PRETINNED	SEE MAT'L
3000H 112AB	.016 ±.0007 BRASS	NONE
3000H 112AD	.016 ±.0007 BRASS	POST TIN PLATE

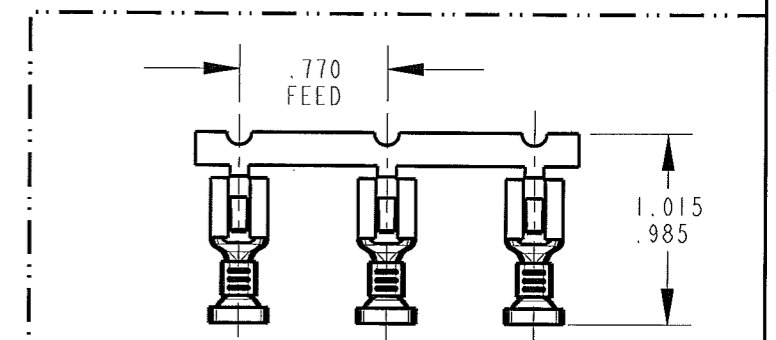
**ARK-LES  
UNCONTROLLED**



SECTION B-B



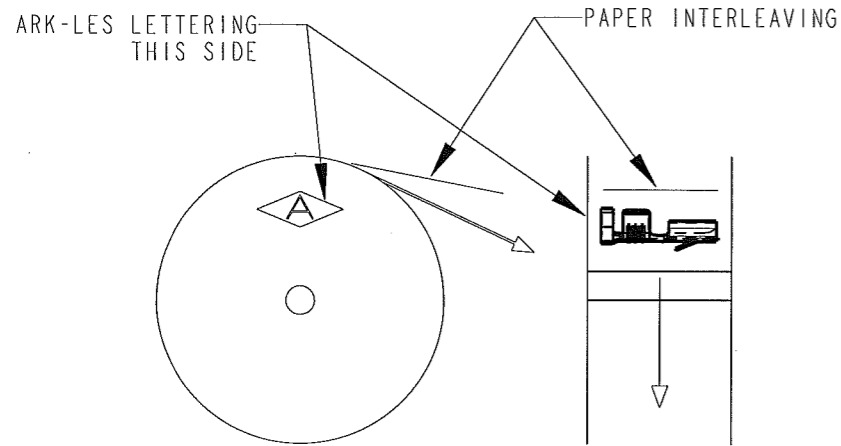
INSULATION GRIP



FABRICATED TERMINAL STRIP  
SCALE: FULL

NOTES:

1. TO MATE WITH .250 X .032 MALE TAB.
2. TO ACCOMMODATE AWG #16-#12 WIRE.
3. INSULATION RANGE: .100-.175 DIA.
4. RECOMMENDED WIRE STRIP LENGTH:  $9/32 \pm 1/32$ .
5. INITIAL INSERTION 8 LBS. MAX., 4 LBS. MIN. USING STANDARD .250 X .032 BRASS TAB.



STANDARD REELING DIAGRAM

PRINT DIST.	PROD. REL.	SK 0876	4/13/82	CHK'D	TOLERANCES UNLESS OTHERWISE SPECIFIED DECIMALS ±.010 METRIC ±0.25mm ANGLES ±1° 3RD ANGLE PROJECTION DWG SIZE: B
DEPT #	QUOTE REL.	PER JB	10/21/81	DD 6/5/06	
ENG I	DRAWN BY	D.O'NEILL 3/16/06		APP.	
SALES	SUPERSEDES DWG. DATED:	9/13/01		MSD 5/06	
STO X	SCALE	3:1		DO NOT SCALE PRINT	
L	REV. PER ECR#	S000192	6/01/06	DON	MATERIAL: SEE TABLE
REV.	DESCRIPTION	DATE	DR.	CHINA	FINISH: SEE TABLE

**Ark-Les CORPORATION** STOUGHTON, MA

**ORIGINAL IF RED**

PART NAME: CUSTOMER DRAWING  
TERMINAL, FEMALE LOCKING TYPE

CAD#: 3000H 112A-REVM\_CUST

P/N: 3000H 112A/

REV M