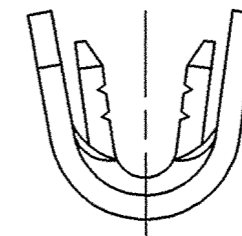
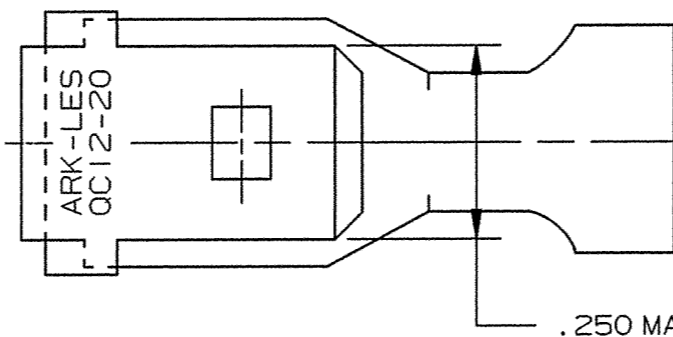
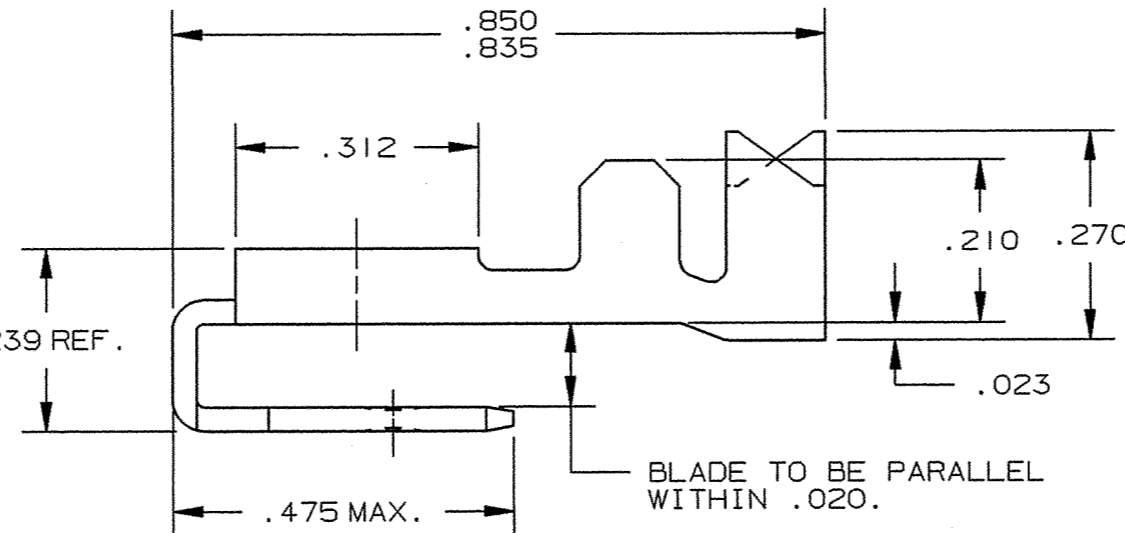
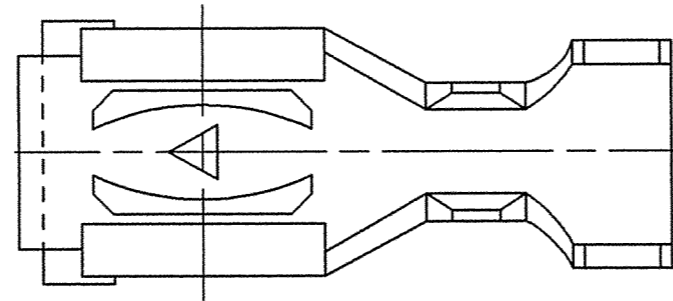
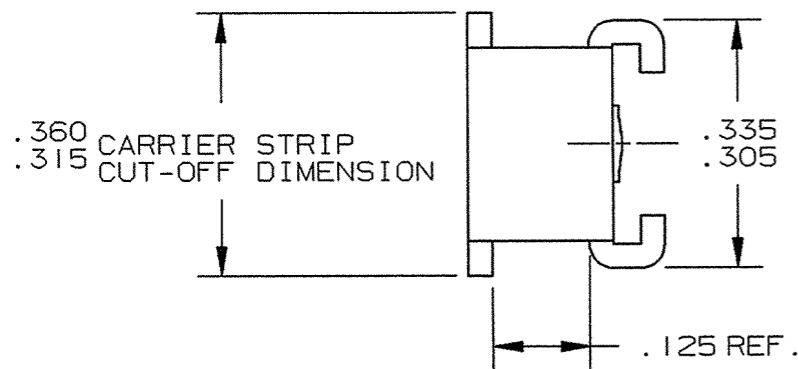


|      |   |
|------|---|
| DEPT |   |
| 1    | 1 |
| 2    |   |
| 3    |   |
| 4    | 2 |
| 5    |   |
| 6    |   |
| 7    |   |
| 8    |   |
| 9    |   |
| 10   |   |
| 11   |   |
| 12   |   |
| NC   |   |
| JZ   |   |

PART NAME: FEMALE & MALE TERMINAL

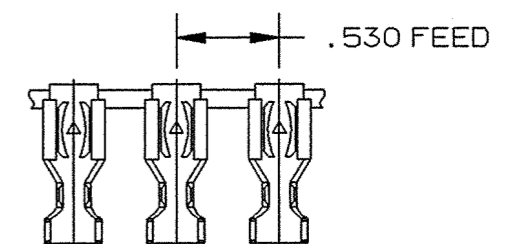
PART NO: 3000H 21A/

| PART NUMBER | MATERIAL               | FINISH       | Q.C. STAMP |
|-------------|------------------------|--------------|------------|
| 3000H 21A   | .032 ±.001 THICK BRASS | PRETINNED    | YES        |
| 3000H 21AB  | .032 ±.001 THICK BRASS | NONE         | YES        |
| 3000H 21AC  | .032 ±.001 THICK BRASS | SILVER PLATE | YES        |



**ARK-LES**  
**UNCONTROLLED**

- NOTES:
- TO ACCEPT A .250 X .032 MALE TAB.
  - TO ACCOMMODATE #12-#20 GAUGE WIRE.
  - INSULATION DIAMETER RANGE: .150-.210.
  - RECOMMENDED STRIP LENGTH: 3/16 ± 1/32.
  - FOR PARTS LESS DIMPLE ADD SUFFIX "-3" TO PART NUMBER. (i.e. 3000H 21A-3)
  - FOR REVERSE REELING ADD SUFFIX "R" TO PART NUMBER AS SHOWN.
  - FOR LOOSE PIECE PARTS ADD SUFFIX "-1" TO PART NUMBER (i.e. 3000H 21A-1).
  - INSERTION/WITHDRAWAL FORCES TO BE AS FOLLOWS WHEN USING MALE TEST TAB 3000M 68H-1:  
 1ST INSERTION: 15.0 LBS MAX. (GS)  
 6.0 LBS MIN. (GU)  
 1ST WITHDRAWAL: 17.0 LBS MAX. (GS)  
 6.0 LBS MIN. AVERAGE  
 4.0 LBS MIN. INDIVIDUAL  
 6TH WITHDRAWAL: 5.0 LBS MIN. AVERAGE  
 4.0 LBS MIN. INDIVIDUAL

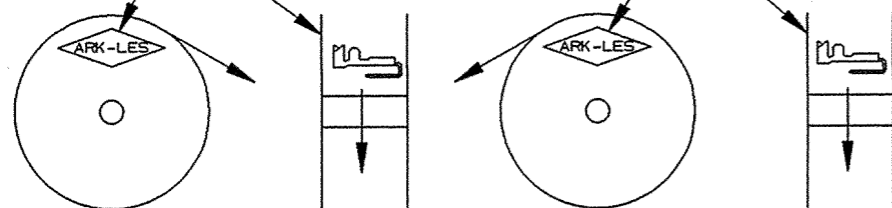


FABRICATED TERMINAL STRIP

SCALE: FULL

ARK-LES LETTERING THIS SIDE

ARK-LES LETTERING THIS SIDE



STANDARD REELING  
(I.E. 3000H 21A)

REVERSE REELING  
(I.E. 3000H 21AR)

REELING DIAGRAMS

| REV. | DESCRIPTION                      | DATE    | DR. | SCALE: 4:1                     | CAD NO: BT00047 | PROD. REL. 49457 7/5/60 HK | QUOTE REL. 40906 3/25/60 BA | TOLERANCES UNLESS OTHERWISE SPECIFIED:<br>DECIMALS ±.010 METRIC ±0.25mm ANGLES ±1° |
|------|----------------------------------|---------|-----|--------------------------------|-----------------|----------------------------|-----------------------------|--|
| GU   | REVISED PER ECR #12298           | 5/31/02 | RT  | CHK'D: R.W.T.                  | 6-5-02          | DR: R. TASTULA 4/5/95      |                             | MATERIAL: SEE TABLE  |
| GT   | REVISED PER ECR #12077           | 9/22/00 | RT  | APP: <i>R.T.B.</i>             | 6-10-02         |                            |                             | FINISH: SEE TABLE  |
| GS   | REVISED & REDRAWN PER ECR #10434 | 4/5/95  | RT  | SUPERCEDES DWG. DATED: 1/11/93 |                 |                            |                             | PART NO: 3000H 21A/  |

ORIGINAL IF RED