

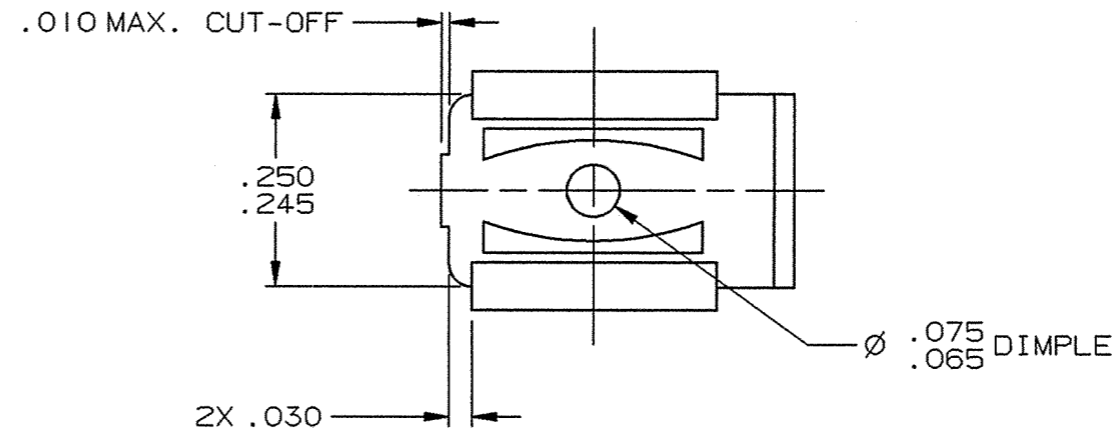
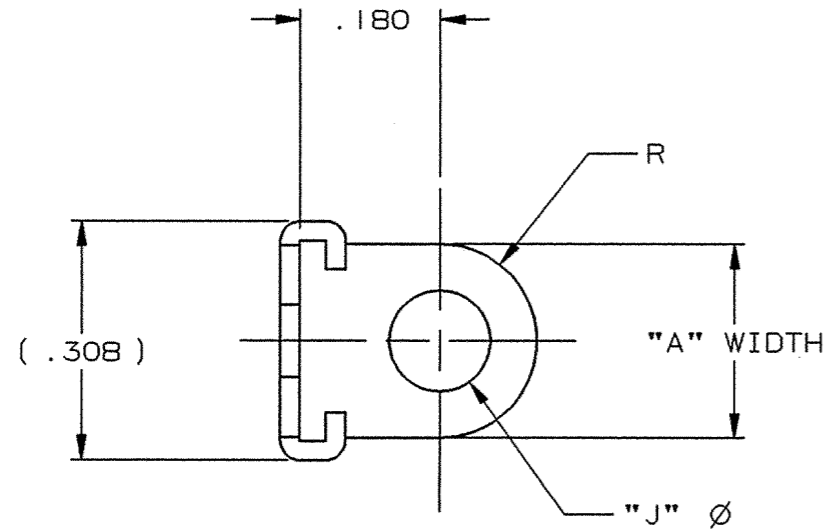
DEPT	
1	1
2	
3	
4	2
5	
6	
7	
8	
9	
10	
11	
12	
NC	
JZ	

PART NAME: FEMALE TERMINAL

PART NO: 3000H 43D/

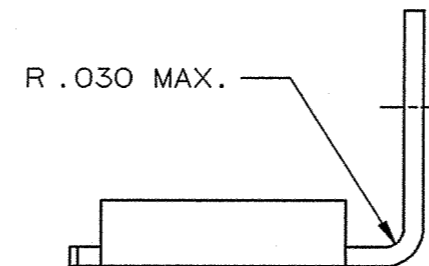
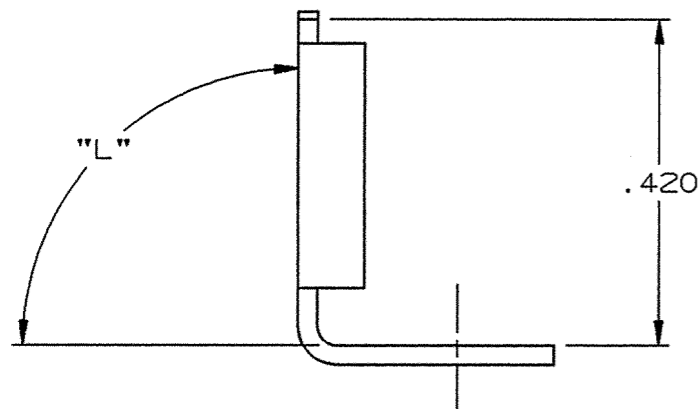
PART NUMBER	"A" WIDTH	"J" DIA.	"L" ANGLE	FINISH
3000H 43D	.255/.245	.131/.128	94°/88°	NONE
3000H 43D-1	.255/.245	.131/.128	33°/27°	ELECRO-TIN PLATE
3000H 43D-2	.255/.245	.096/.090	94°/88°	NONE
3000H 43D-3	.317/.307	.104/.100	33°/27°	ELECRO-TIN PLATE
3000H 43D-4	.317/.307	.104/.100	33°/27°	NONE

(G)



NOTES:
 1. TO ACCEPT STANDARD .250 X .032 MALE TAB.
 2. REFERENCE 3000H 43C & 3000H 74/ DRAWINGS.

ARK-LES
UNCONTROLLED



ORIGINAL IF RED

			PROD. REL.	99566	5/16/74	PC	TOLERANCES UNLESS OTHERWISE SPECIFIED:
			QUOTE REL.				DECIMALS \pm .010 METRIC \pm 0.25mm ANGLES \pm 1°
			DR:	R. TASTULA	2/19/02		MATERIAL: .025 THICK BRASS
			CHK'D:	RTB	3-4-02		FINISH: SEE TABLE
			APP:	RTB	3-4-02		PART NO: 3000H 43D/
G	REVISED & REDRAWN PER ECR #12260	2/22/02	RT	SUPERCEDES DWG. DATED:	5/16/74		
REV.	DESCRIPTION	DATE	DR.	SCALE: 4:1	CAD NO: BT00113		