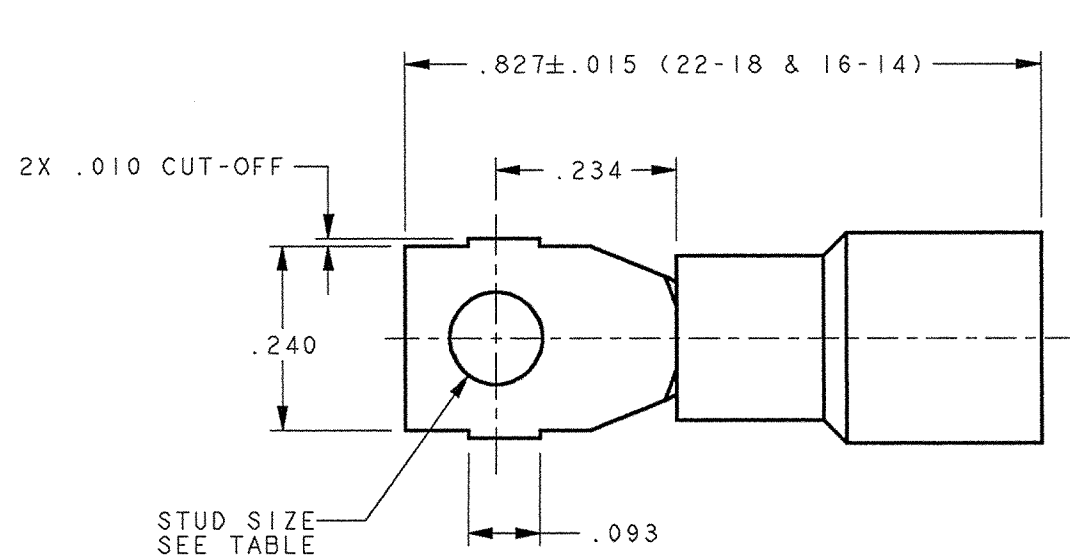


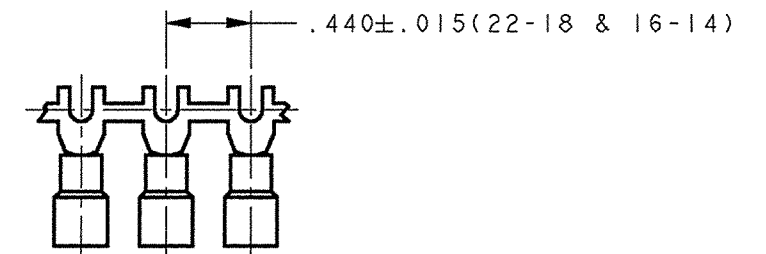
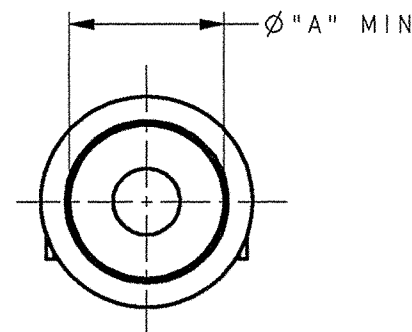
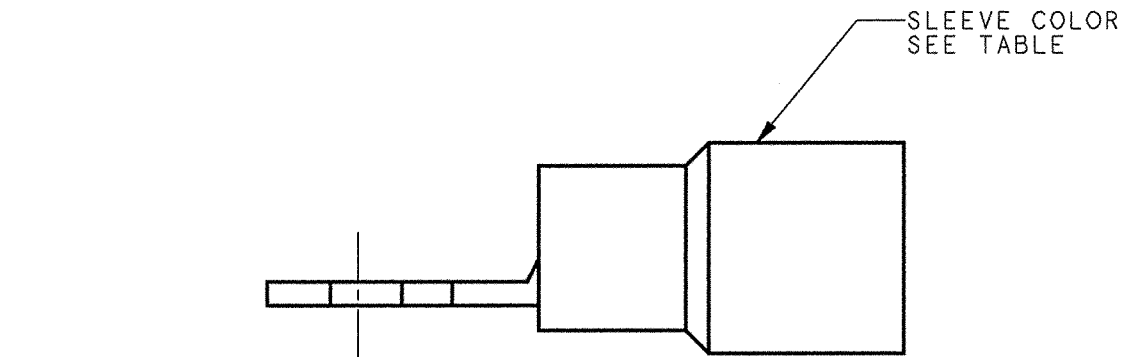
CUSTOMER DRAWING

P/N: 7500798-7501078 REV
A

| PART NO. | "A" MIN. Ø | SLEEVE COLOR | WIRE SIZE | STUD SIZE |
|----------|------------|--------------|-----------|-----------|
| 7500798 | .142 | RED | 22-18 | #0 |
| 7500838 | .197 | BLUE | 16-14 | |
| 7500878 | .142 | RED | 22-18 | #2 |
| 7500918 | .197 | BLUE | 16-14 | |
| 7500958 | .142 | RED | 22-18 | #4 |
| 7500998 | .197 | BLUE | 16-14 | |
| 7501038 | .142 | RED | 22-18 | #6 |
| 7501078 | .197 | BLUE | 16-14 | |



- NOTES:
 1. MATERIAL:
 TERMINAL: .031 THICK COPPER
 PRE-ELECTRO-TIN PLATE: (22-18 & 16-14AWG)
 SLEEVE: 6/6 NYLON
 2. RECOMMENDED STRIP LENGTH: $9/32 \pm 1/32$ (22-18 & 16-14)
 3. FOR LOOSE PIECE PARTS, ADD SUFFIX 1 TO PART NUMBER (e.g. 75007981)
 4. FOR STANDARD REELING SEE FIGURE 1.



FABRICATED TERMINAL STRIP
SCALE 1X

ARK-LES
UNCONTROLLED

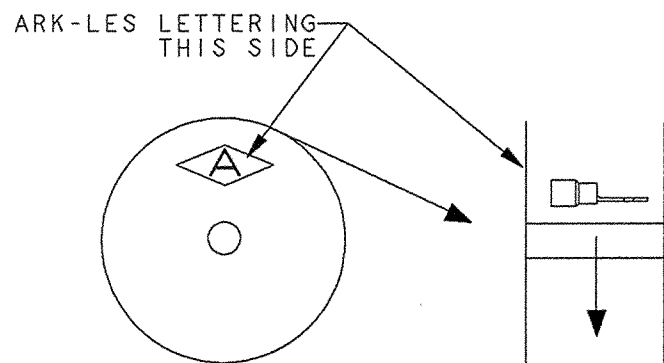




FIGURE 1
REELING DIAGRAM

| | | | | | |
|-------------|---------------------------|---------|-------------------------|---|---|
| PRINT DIST. | PROD. REL. ECR12541 | 7-1-03 | CHK'D | TOLERANCES UNLESS OTHERWISE SPECIFIED |  CORPORATION STOUGHTON, MA |
| DEPT # | QUOTE REL. | | RWT 6-18-03 APP. | DECIMALS ±.010 | |
| ENG 1 | DRAWN BY BJC | 6/10/03 | | METRIC ±0.25mm | ORIGINAL IF RED PART .240 PRE-INSULATED NAME SQ. SPADE TERMINAL |
| SALES | SUPERSEDES DWG. DATED: | | RJS 6-30-03 SCALE 4X | ANGLES ±1°  3RD ANGLE PROJECTION | |
| STO 8 | MATERIAL: SEE NOTE 1 | | | | CAD#: .240SQ-SPADE-ASSY P/N: 7500798-7501078 |
| REV. A | PROD. REL. PER ECR #12541 | 6/10/03 | BJC | FINISH: SEE NOTE 1 | |