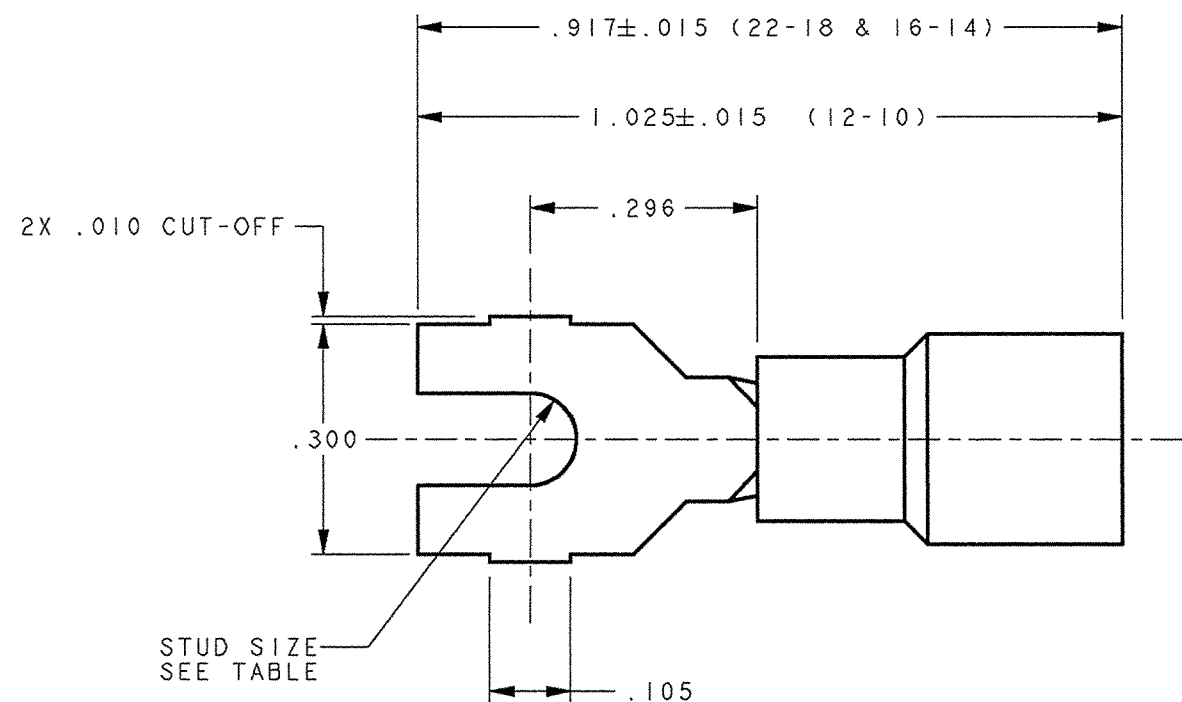


CUSTOMER DRAWING

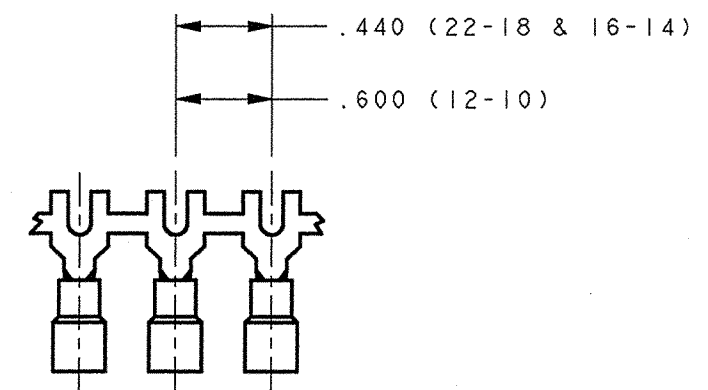
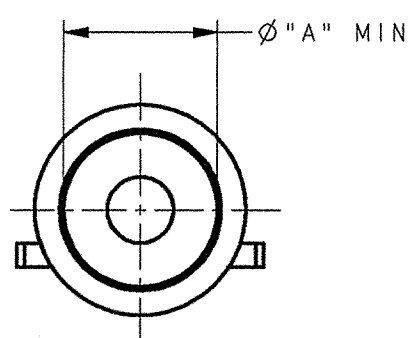
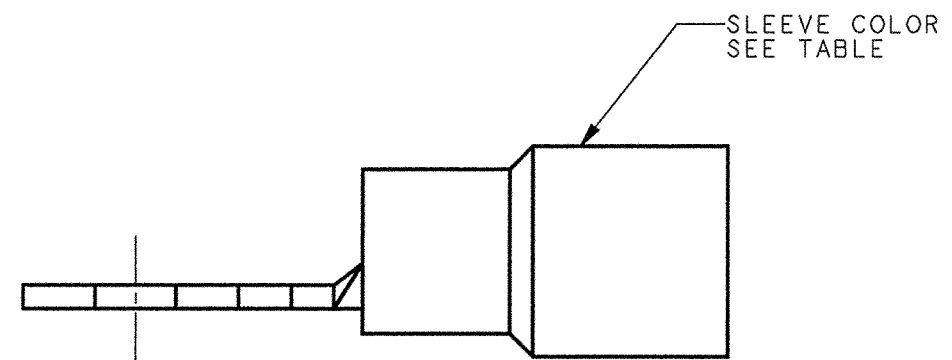
P/N: 7501658-7502098

REV
A



- NOTES:
 1. MATERIAL:
 TERMINAL: .031 THICK COPPER
 PRE-ELECTRO-TIN PLATE: (22-18 & 16-14AWG)
 .040 THICK COPPER
 PRE-ELECTRO-TIN PLATE: (12-10AWG)
 SLEEVE: 6/6 NYLON
 2. RECOMMENDED STRIP LENGTH: 9/32 ± 1/32 (22-18 & 16-14)
 5/16 ± 3/64 (12-10)
 3. FOR LOOSE PIECE PARTS, ADD SUFFIX 1
 TO PART NUMBER (e.g. 75016581)
 4. FOR STANDARD REELING SEE FIGURE 1.

PART NO.	"A" MIN.	SLEEVE COLOR	WIRE SIZE	STUD SIZE
7501658	.142	RED	22-18	#4
7501698	.197	BLUE	16-14	
7501738	.257	YELLOW	12-10	
7501778	.142	RED	22-18	#6
7501818	.197	BLUE	16-14	
7501858	.257	YELLOW	12-10	
7501898	.142	RED	22-18	#8
7501938	.197	BLUE	16-14	
7501978	.257	YELLOW	12-10	
7502018	.142	RED	22-18	#10
7502058	.197	BLUE	16-14	
7502098	.257	YELLOW	12-10	



ARK-LES
UNCONTROLLED

FABRICATED TERMINAL STRIP
SCALE 1X

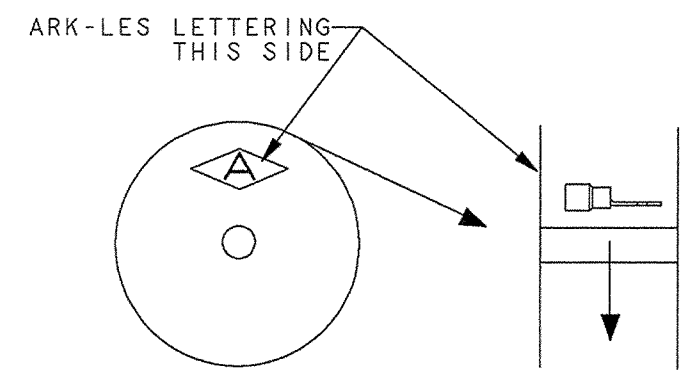


FIGURE 1
REELING DIAGRAM

PRINT DIST.	PROD. REL. ECR12541	8-1-03	CHK'D	TOLERANCES UNLESS OTHERWISE SPECIFIED	STOUGHTON, MA ORIGINAL RED
DEPT #	QUOTE REL.		RWT 6-18-03	DECIMALS ±.010	
ENG 1	DRAWN BY	BJC 5/13/03	APP.	METRIC ±0.25mm	PART .300 PRE-INSULATED NAME SPADE TERMINAL
SALES	SUPERSEDES DWG. DATED:		R70 (6-20-03)	ANGLES ±1°	CAD#: .300SPADE-ASSY
STO 8	SCALE 4X	DO NOT SCALE PRINT			P/N: 7501658-7502098
RAL	MATERIAL: SEE NOTE 1				REV A
JZ	FINISH: SEE NOTE 1				
CHINA					

