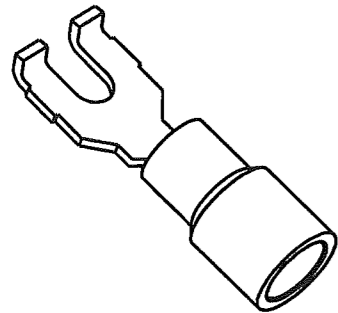


CUSTOMER DRAWING

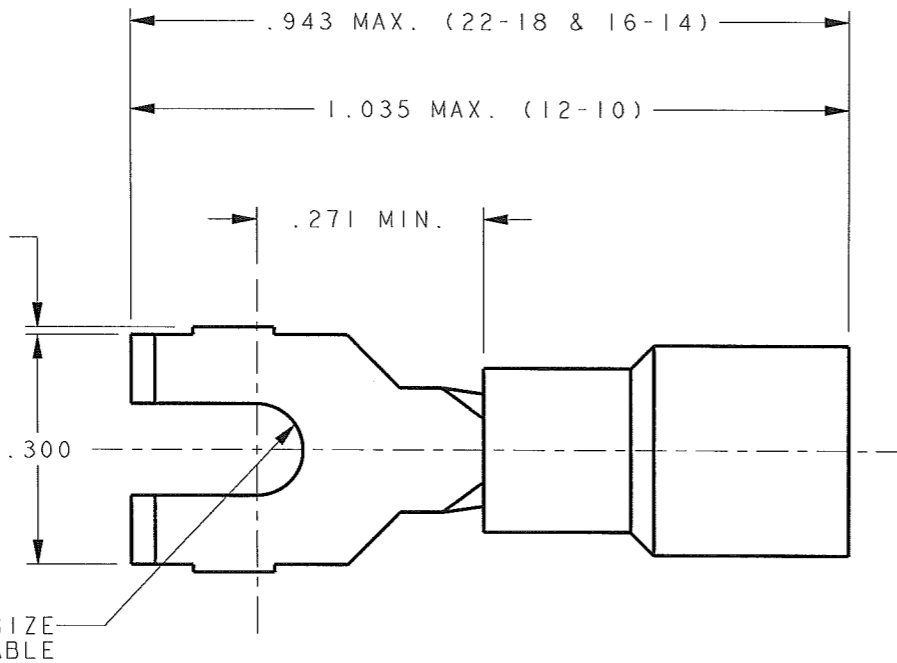
P/N: 7502138-7502578

REV
D



SCALE 2:1

2X .010 CUT-OFF

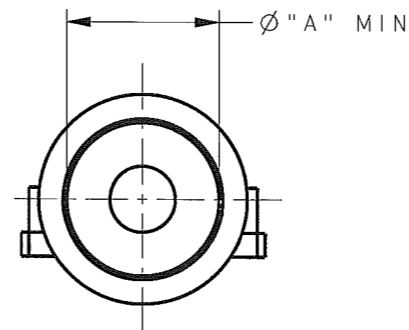
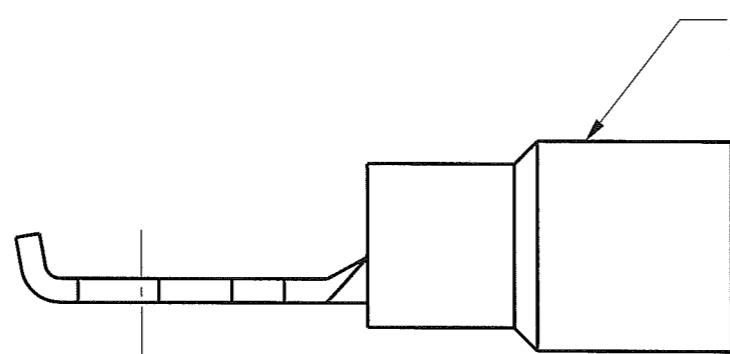


- NOTES:
 1. MATERIAL:
 TERMINAL: .031 ± .001 THICK COPPER
 PRE-ELECTRO-TIN PLATE: (22-18 & 16-14AWG)
 .040 ± .001 THICK COPPER
 PRE-ELECTRO-TIN PLATE: (12-10AWG)
 SLEEVE: 6/6 NYLON
 2. RECOMMENDED WIRE STRIP LENGTH: 9/32 ± 1/32 (22-18 & 16-14)
 5/16 ± 3/64 (12-10)
 3. FOR LOOSE PIECE PARTS, ADD SUFFIX "I" TO PART NUMBER (e.g. 7502138I)
 4. FOR STANDARD REELING SEE FIGURE 1.
 5. FOR 30 INCH REEL, ADD SUFFIX "9" TO PART NUMBER (e.g. 75021389).
 6. FOR REVERSE REELING, ADD SUFFIX "R" TO PART NUMBER (e.g. 7502138R). SEE FIGURE 2.

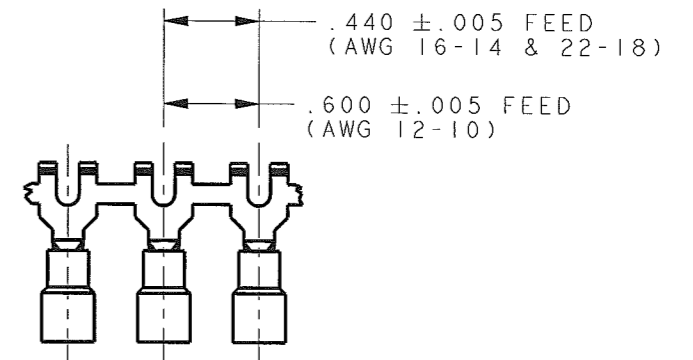
PART NO.	"A" MIN. Ø	SLEEVE COLOR	WIRE SIZE	STUD SIZE
7502138	.143	RED	22-18	#4 .124/.116
7502178	.201	BLUE	16-14	
7502218	.257	YELLOW	12-10	#6 .150/.142
7502258	.143	RED	22-18	
7502298	.201	BLUE	16-14	#8 .176/.168
7502338	.257	YELLOW	12-10	
7502378	.143	RED	22-18	#10 .202/.194
7502418	.201	BLUE	16-14	
7502458	.257	YELLOW	12-10	#10 .202/.194
7502498	.143	RED	22-18	
7502538	.201	BLUE	16-14	
7502578	.257	YELLOW	12-10	

STUD SIZE SEE TABLE

SLEEVE COLOR SEE TABLE



ARK-LES UNCONTROLLED



FABRICATED CARRIER STRIP SCALE 1X

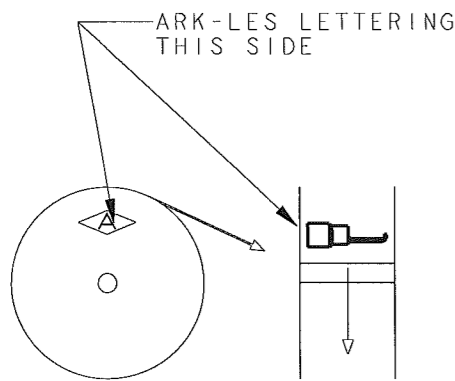


FIGURE 1 STANDARD REELING (e.g. 7502138)

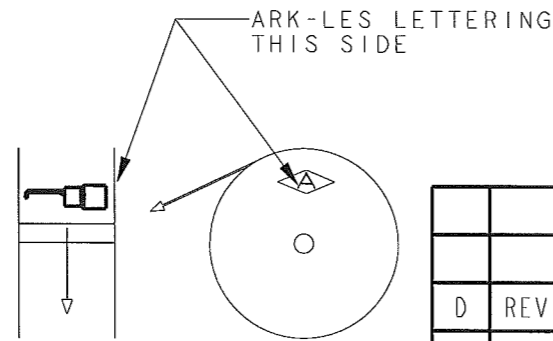


FIGURE 2 REVERSE REELING (e.g. 7502138R)

PROD. REL.	ECR12541	8/1/03	CHK'D	
QUOTE REL.			Don't	
DEPT #	1		APP.	
ENG	1			
SALES				
STO	1			
RAL				
JZ				
CHINA				
PROD. REL.	ECR12541	8/1/03	CHK'D	
QUOTE REL.			Don't	
DRAWN BY	BJC	5/25/03	APP.	
SUPERSEDES DWG. DATED:			10/11/07	
SCALE	4X		DO NOT SCALE PRINT	
MATERIAL:	SEE NOTE 1			
FINISH:	SEE NOTE 1			

Ark-Les CORPORATION STOUGHTON, MA

ORIGINAL IF RED

PART NAME CUSTOMER ASS'Y DRAWING .300 PRE-INSULATED FLANGED SPADE TERMINAL

CAD#: .300FLANGED-SPADE-CUST-REVD

P/N: 7502138-7502578

REV D

