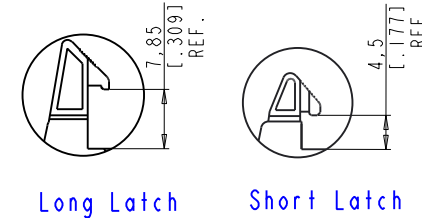
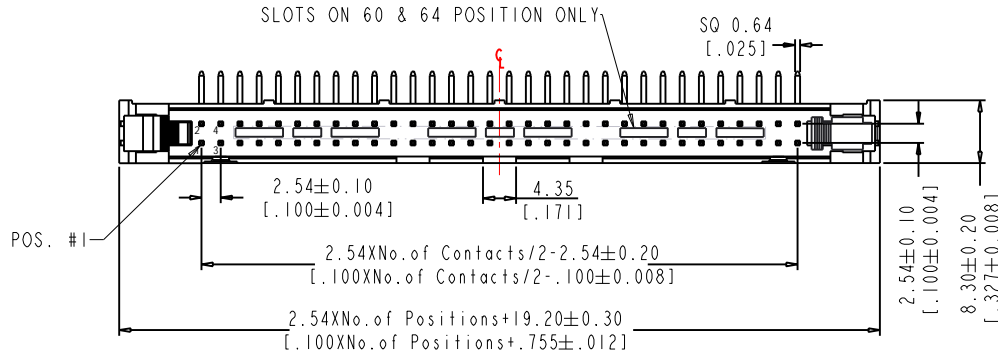
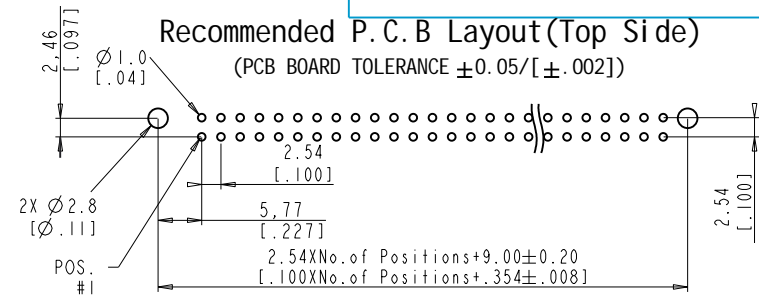


NOTES:

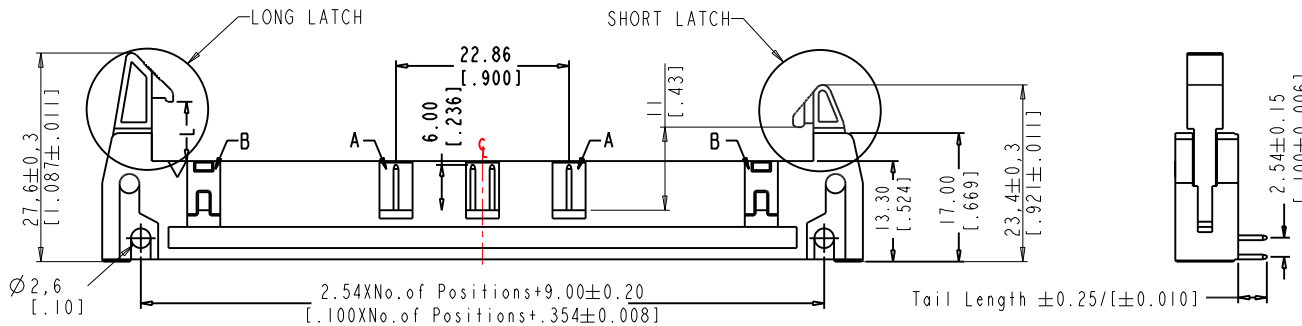
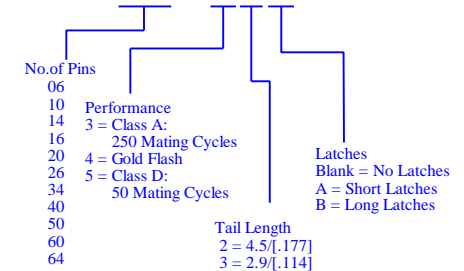
- 1) CURRENT RATING: 3.0A
- 2) CONTACT RESISTANCE: 20 mΩ MAX.
- 3) INSULATION RESISTANCE: 1000MΩ MIN.
- 4) WITHSTANDING VOLTAGE: 1000V AC/DC.
- 5) OPERATING TEMPERATURE: -40°C TO 105°C.
- 6) HOUSING MATERIAL: PBT OR PA9T 30%GF UL 94V-0; GRAY
- 7) PIN MATERIAL: BRASS ALLOY
- 8) SLOTS 'A' & 'B':
 10-16 POSITION: W/O SLOTS 'A' & 'B'
 20-50 POSITIONS: W/O SLOTS 'A' & W/ SLOTS 'B'
 60-64 POSITION: W/ SLOTS 'A' & SLOTS 'B'
- 9) ALL DIMENSIONS ARE MM/[IN.]

P/N: KA-10241

REV
Q



P/N LEGEND
050-0XX-0XXX



ROHS COMPLIANT

				PRINT DIST.	PROD. REL.	DWS	5/15/14	CHK'D	TOLERANCES UNLESS OTHERWISE SPECIFIED	PANCON CORPORATION 350 REVOLUTIONARY DR. E. TAUNTON, MA 02718
				DIV #	QUOTE REL.			APP.	DECIMALS ±.010	
				GMBH X	DRAWN BY	DWS	5/15/14		METRIC ±0.25mm	ORIGINAL IF RED
				A/L	SUPERSEDES DWG. DATED: 1/31/14				ANGLES ±1°	PART 050 SERIES
				S3	SCALE 2/1 DO NOT SCALE PRINT				3RD ANGLE PROJECTION	NAME RIGHT ANGLE HEADER
				MIE	MATERIAL:				DWG NO: KA-10241-REVQ	CAD#: KA-10241-REVQ
				CON X	FINISH:				DWG SIZE: A	REV Q
REV	DESCRIPTION	DATE	DR.	PAK						DWG NO: KA-10241