

THIS COPY IS PROVIDED ON A RESTRICTED BASIS AND IS NOT TO BE USED IN ANY WAY DETRIMENTAL TO THE INTERESTS OF PANCON.

NOTES:

1. PART NUMBERS:

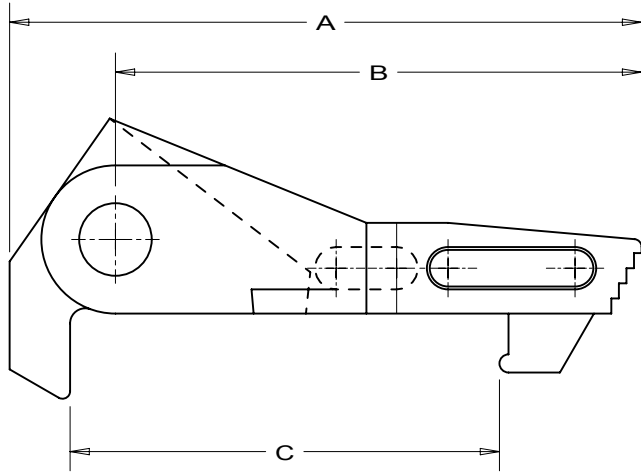
LONG LATCH = 050-000-063

SHORT LATCH = 050-000-062

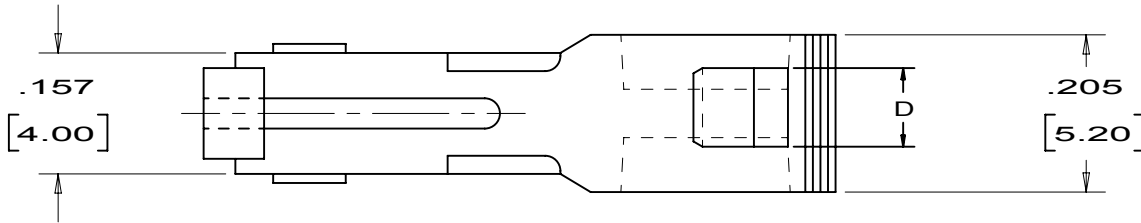
2. MATERIAL: GLASS FILLED

POLYESTER, U.L. 94 V-0 COLOR(GRAY)

3. ALL DIMENSIONS ARE SHOWN IN INCHES AND (MILLIMETERS)



	PART NUMBER	
	050-000-063	050-000-062
DIM A	.82 [20.9]	.73 [18.5]
DIM B	.69 [17.4]	.59 [15.0]
DIM C	.56 [14.2]	.43 [10.8]
DIM D	.10 [2.6]	.18 [4.7]



Bolingbrook, Illinois

**LAT-CON™ 050 SERIES
HEADER ACCESSORIES
LONG & SHORT LATCH EJECTORS**

UNLESS OTHERWISE SPECIFIED,
DIMENSIONAL TOLERANCES ARE:

(.X) ± .01 [.3] XXXX ± ---
(.XX) ± --- ANGLES ± ---

UNLESS OTHERWISE SPECIFIED, ALL DIMENSIONS ARE GIVEN IN MILLIMETERS. THIRD ANGLE PROJECTION.

DRAWN BY
LE

DATE
3-12-93

CHK'D
TOG

SEE NOTES

SCALE
4:1

DRAWING NO.
KA-10468

DWG.
A

SIZE

REV	DATE	BY	CHK	DESCRIPTION	CN - R	CUST	SUP
1	11/14/05	KI		Added RoHS Compliant	2162		