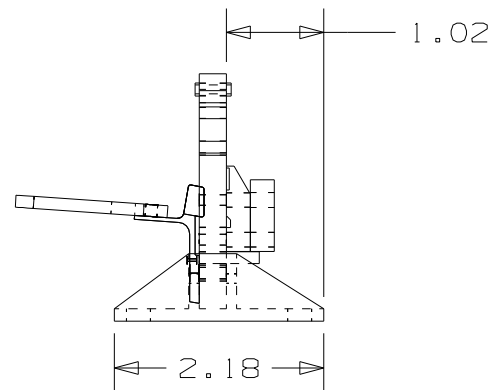


CONNECTOR STYLE	PPHT FIXTURE PART No.	COLOR CODE
.156 C MAS-CON END CIRCUIT CONNECTOR	PPHT-156FE	WHITE
.156 C MAS-CON THRU CIRCUIT CONNECTOR	PPHT-156FT	WHITE
.156 C MAS-CON THRU CIRCUIT CONNECTOR (WIRES SELECTIVELY CUT)	PPHT-156FC	WHITE
.100 C MAS-CON END CIRCUIT CONNECTOR	PPHT-100FE	RED
.100 C MAS-CON THRU CIRCUIT CONNECTOR	PPHT-100FT	RED
.100 C MAS-CON THRU CIRCUIT CONNECTOR (WIRES SELECTIVELY CUT)	PPHT-100FC	RED



CAD FILE: KA-10522

Pancon

PPHT - MAS-CON[®] PORTABLE
PNEUMATIC HARNESS TOOL FIXTURES

UNLESS OTHERWISE SPECIFIED,
DIMENSIONAL TOLERANCES ARE:

(.X) ± (.XXX) ±
(.XX) ± ANGLES ±

UNLESS OTHERWISE SPEC-
IFIED, ALL DIMENSIONS
ARE GIVEN IN INCHES.
THIRD ANGLE PROJECTION.
SCALE NONE

DRAWN BY MAT'L
JEP

DATE
4-17-00

CHK'D

DRAWING NO. DWG.

KA-10522

A
SIZE

REV	DATE	BY	CHK	DESCRIPTION	CN - R	CUST	SUP
R		JEP		RELEASED	1940		