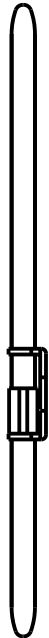
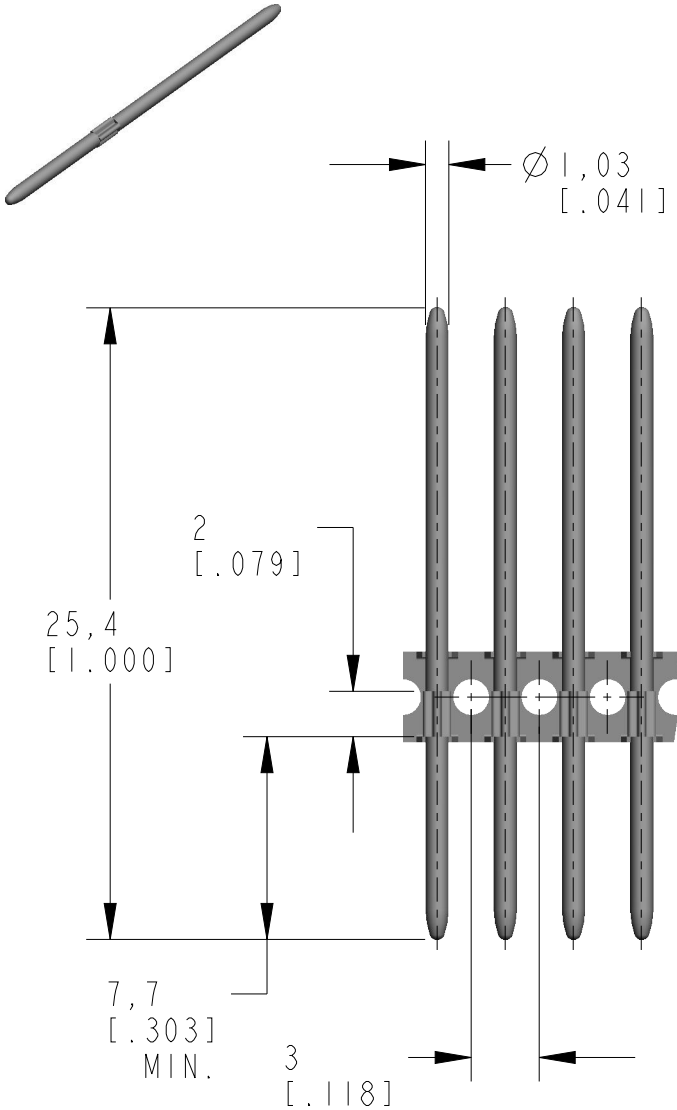


# TERMINAL, COMPLIANT

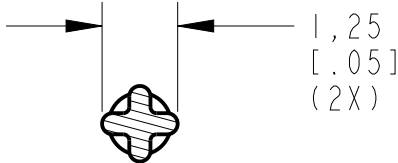
MATERIAL: TERMINAL - COPPER ALLOY  
 BANDOLIER - COPPER ALLOY OR C.R. STEEL

PLATING: TBD BY CUSTOMER

DIMENSION IN MM [INCHES]



SECTION D-D



COMPLIANT DETAIL

