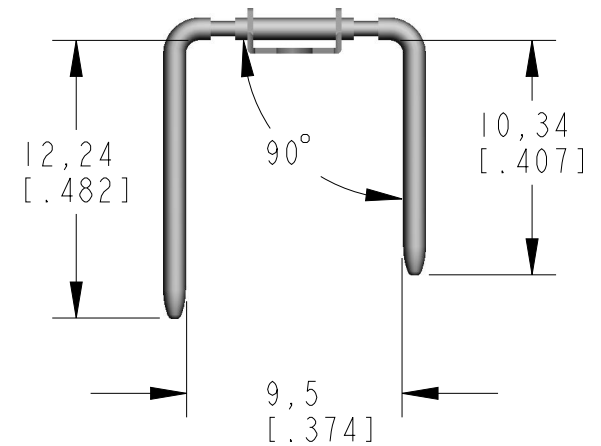
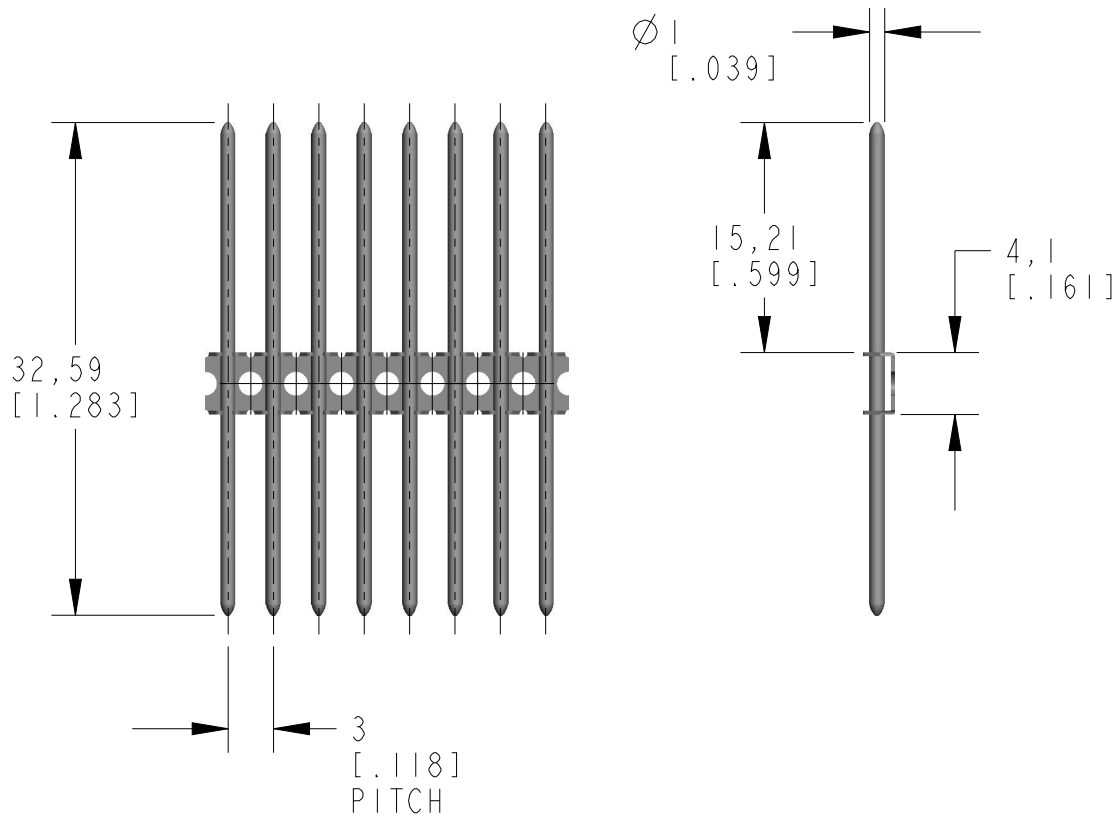
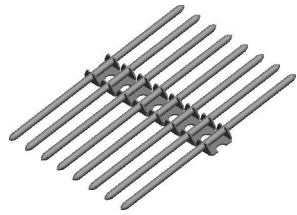


# TERMINAL

MATERIAL: PIN - COPPER ALLOY  
BANDOLIER - COPPER ALLOY OR C.R. STEEL

PLATING - TBD BY CUSTOMER

DIMENSION IN MM [INCHES].



FINAL FORMING AND CUTTING  
AT ASSEMBLY

DWG: 8000T 110