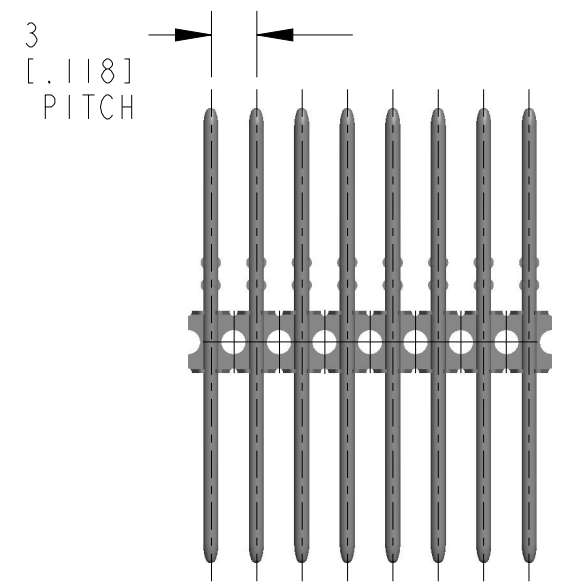
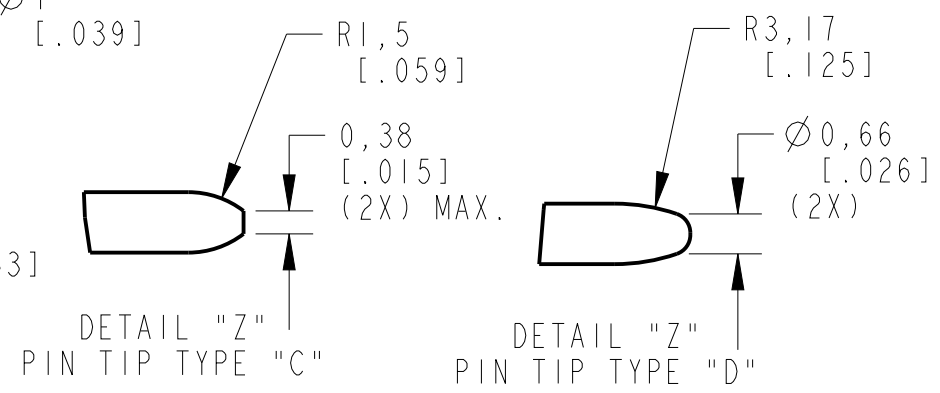
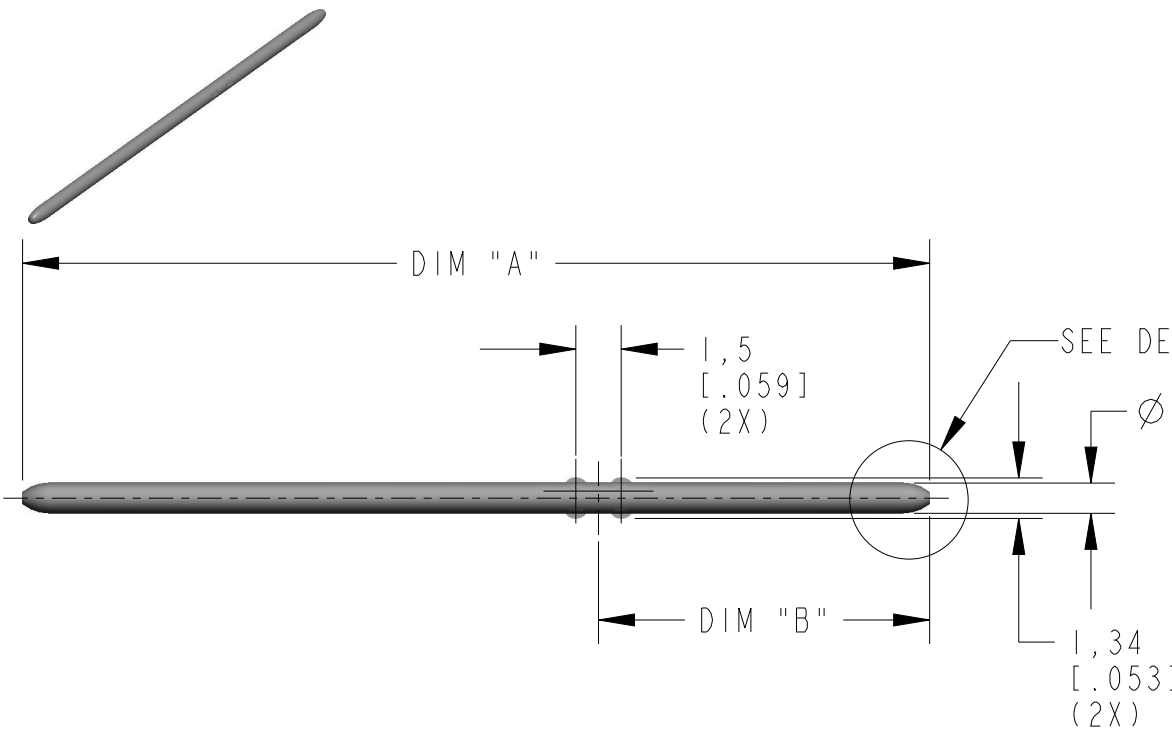


TERMINAL

MATERIAL: PIN - COPPER ALLOY  
 BANDOLIER - COPPER ALLOY OR C.R. STEEL

PLATING: TBD BY CUSTOMER

DIMENSIONS IN MM [INCHES]



PART NUMBER PLATED	DIM "A"	DIM "B"	RETENTION FEATURES YES/NO	PIN TIP CONFIGURATION TYPE
8000T III-1	23.81±0.020 [.937±.0007]	(4.48) [.176]	YES	TYPE D
8000T III-2	23.81±0.020 [.937±.0007]	N/A	NO	TYPE D
8000T III-3	24.38±0.020 [.960±.0007]	10.94 [.431]	YES	TYPE C
8000T III-4	39.08±0.020 [1.538±.0007]	10.94 [.431]	YES	TYPE C
8000T III-5	28.78±0.020 [1.133±.0007]	10.94 [.431]	YES	TYPE C
8000T III-6	26.26±0.020 [1.034±.0007]	10.94 [.431]	YES	TYPE C
8000T III-7	36.56±0.020 [1.439±.0007]	10.94 [.431]	YES	TYPE C
8000T III-8	34.6±0.020 [1.362±.0007]	10.94 [.431]	YES	TYPE C
8000T III-9	24.3±0.020 [.956±.0007]	10.94 [.431]	YES	TYPE C
8000T III-10	20.88±0.020 [.822±.0007]	10.94 [.431]	YES	TYPE C