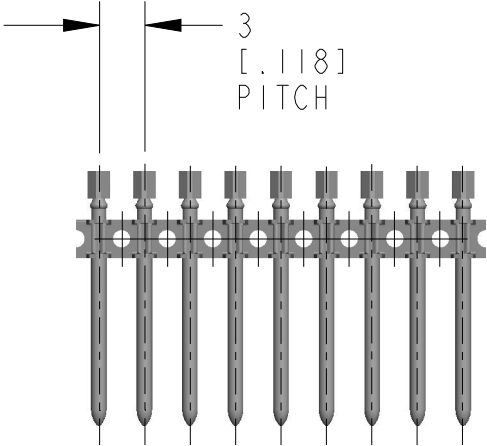
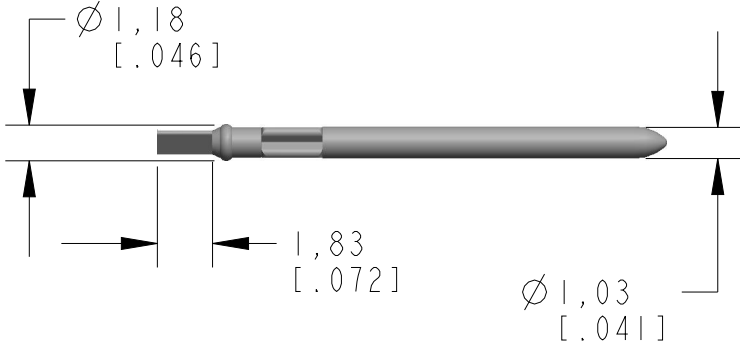
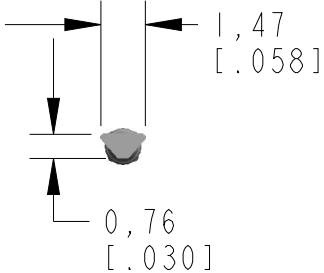
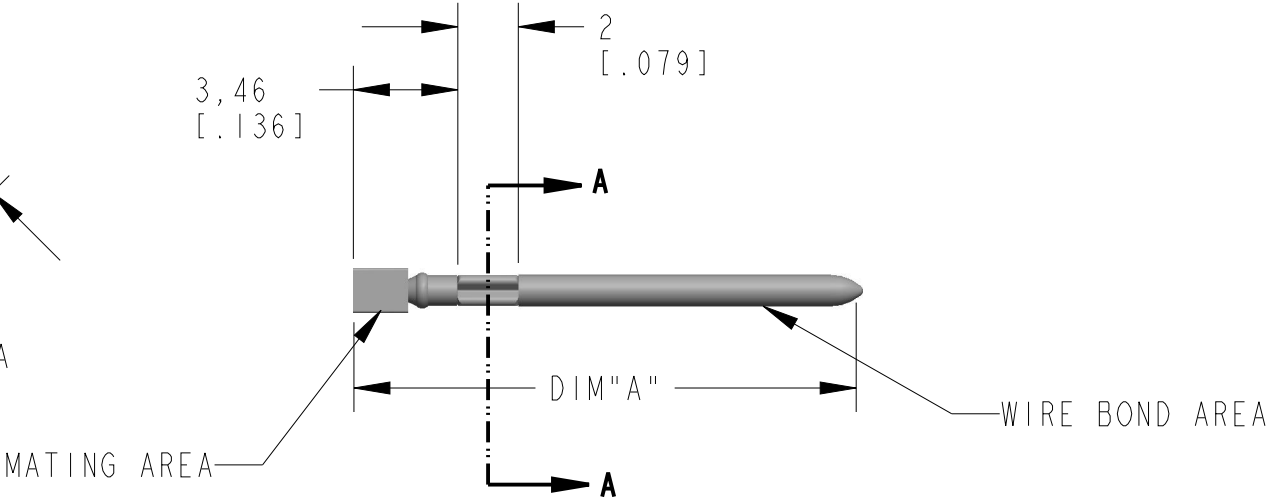
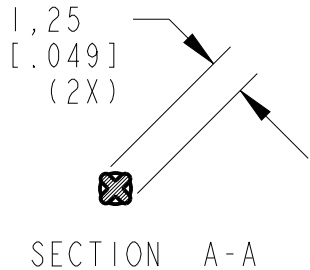
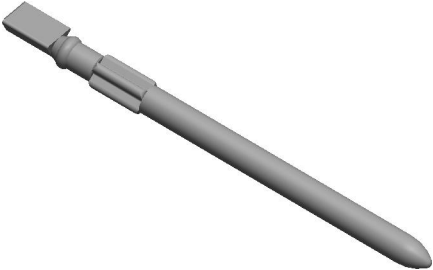


TERMINAL, COMPLIANT PIN

MATERIAL: PIN - COPPER ALLOY
 BANDOLIER - COPPER ALLOY OR C.R. STEEL.

PLATING: TBD BY CUSTOMER

DIMENSION IN MM [INCHES].



PART NO.	DIM A
8000T 112-1	15.7 [.618]
8000T 112-2	17.95 [.706]