

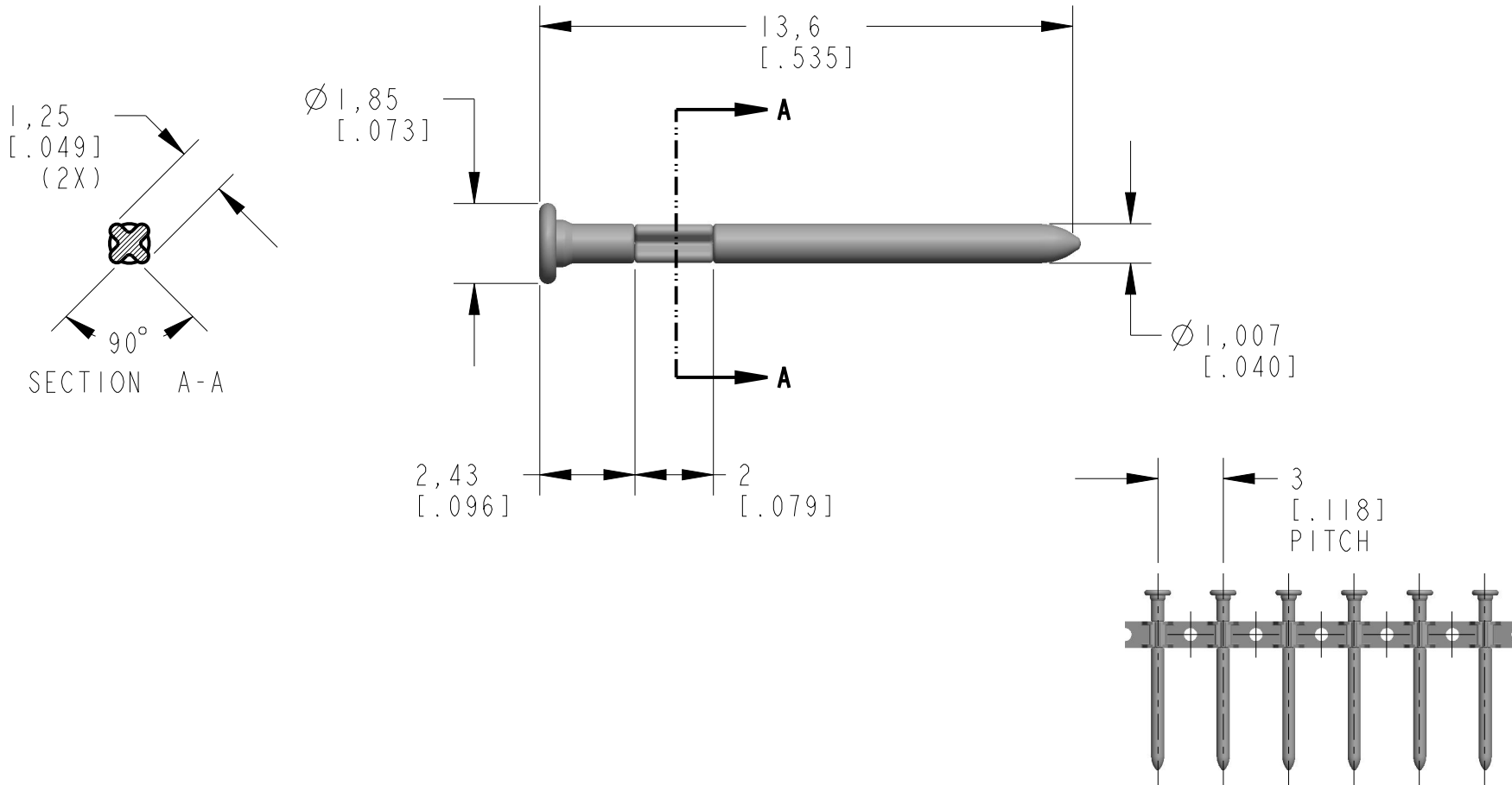


TERMINAL - PIN

MATERIAL: PIN - COPPER ALLOY
BANDOLIER - COPPER ALLOY OR C.R. STEEL

PLATING - TBD BY CUSTOMER

DIMENSION ARE IN MM [INCHES].



DWG: 8000T 116