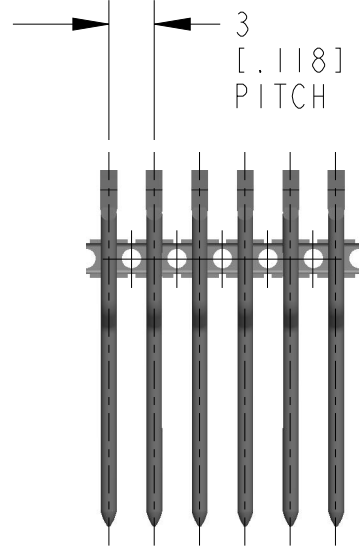
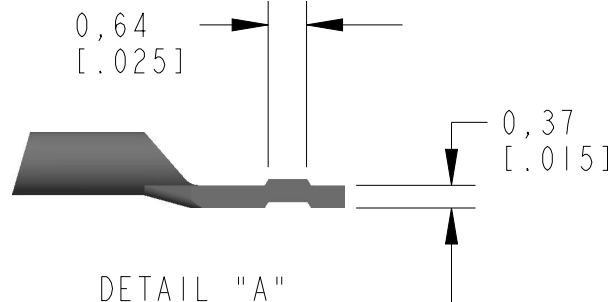
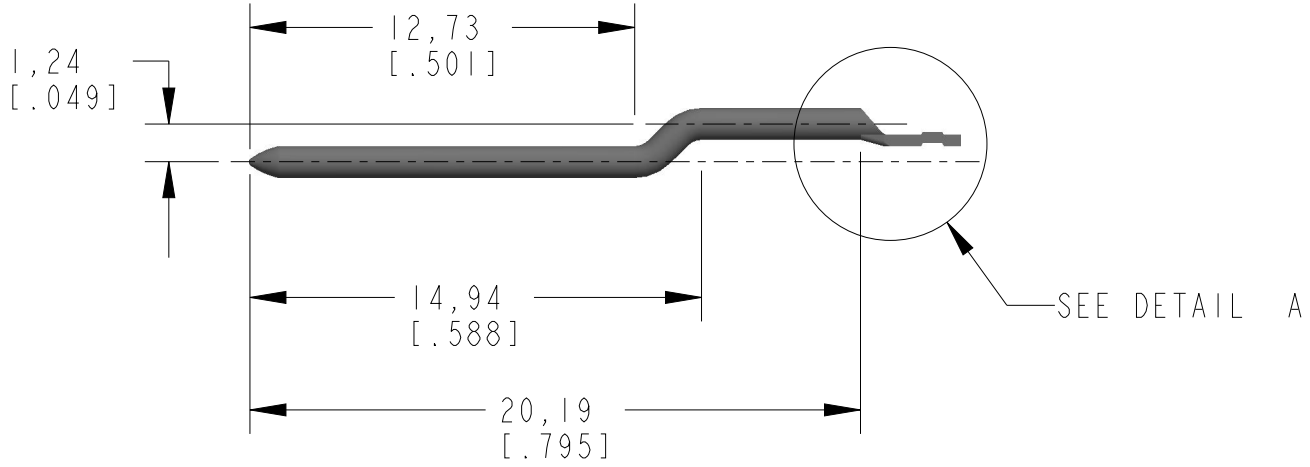
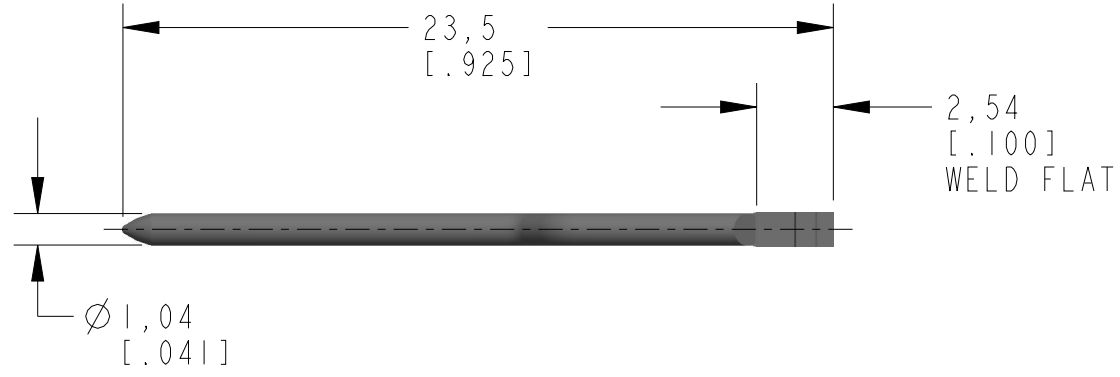
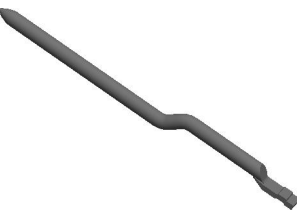


TERMINAL PIN

MATERIAL: COPPER ALLOY

PLATING: TBD

DIMENSIONS IN MM [INCHES]



DWG: 8000T 117