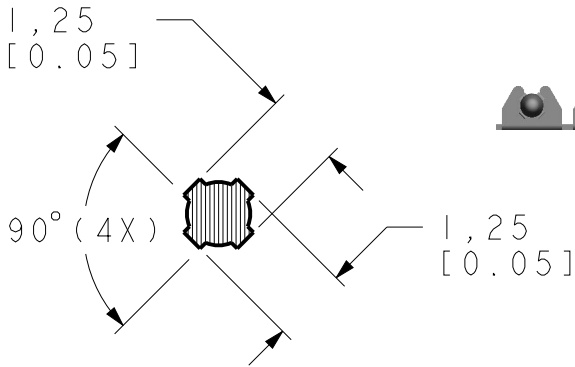
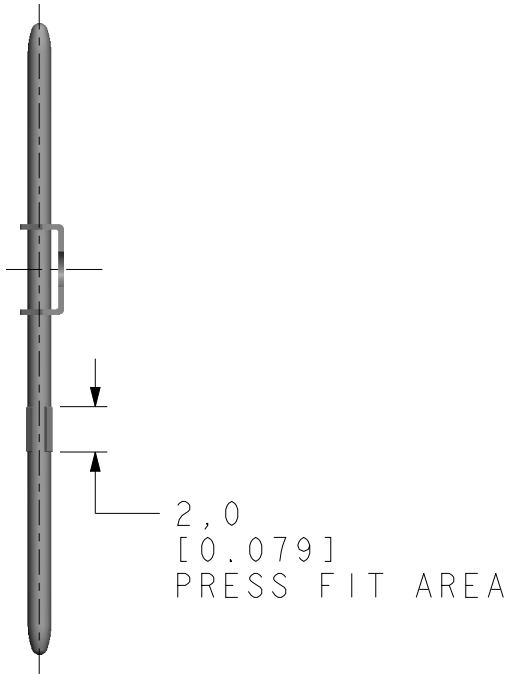
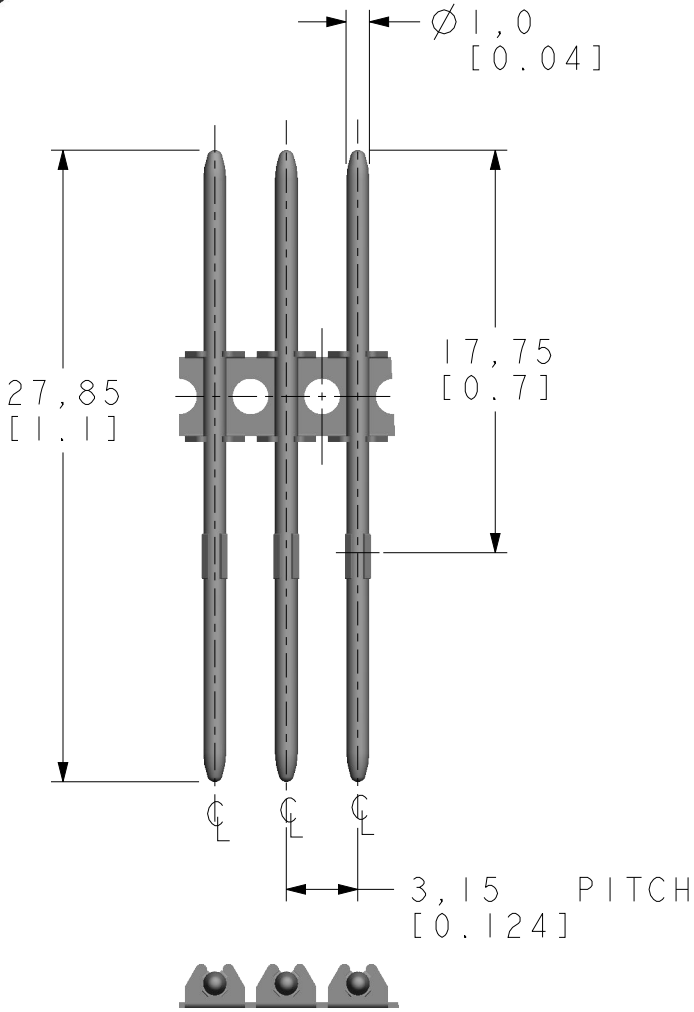
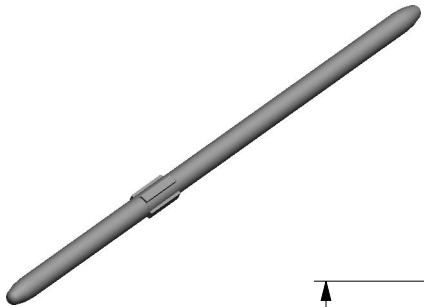


TERMINAL, PRESS FIT

MATERIAL: PIN - COPPER ALLOY
BANDOLIER - COPPER ALLOY OR
COLD ROLLED STEEL

DIMENSIONS IN MM [INCHES]



PRESS FIT DETAIL

