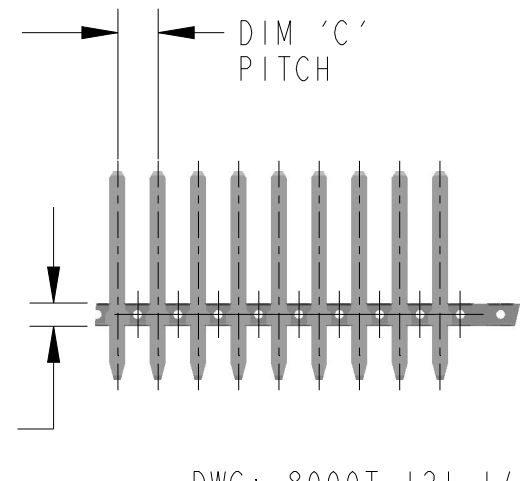
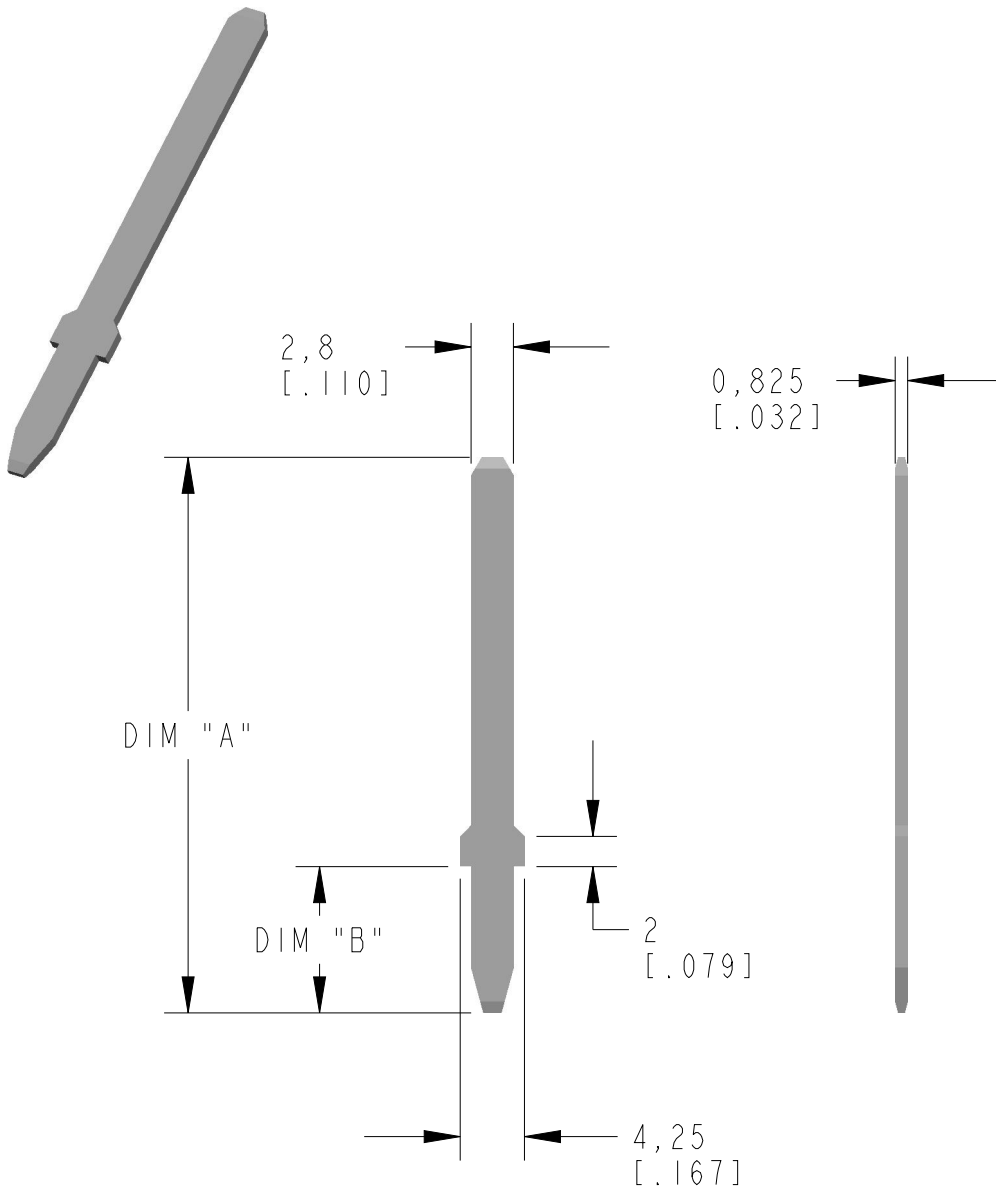


TERMINAL, PRESS FIT

MATERIAL: PIN - COPPER ALLOY
 BANDOLIER - C.R. STEEL

PIN PLATING: TBD BY CUSTOMER

DIMENSION IN MM [INCHES]



PART NUMBER	DIM "A"	DIM "B"	DIM "C"
8000T 121-1	43.52 [1.713]	10.00 [.394]	6.90 [.272]
8000T 121-2	28.72 [1.131]	10.00 [.394]	6.90 [.272]
8000T 121-3	43.23 [1.702]	9.35 [.368]	7.30 [.287]
8000T 121-4	30.93 [1.217]	9.35 [.368]	7.30 [.287]