

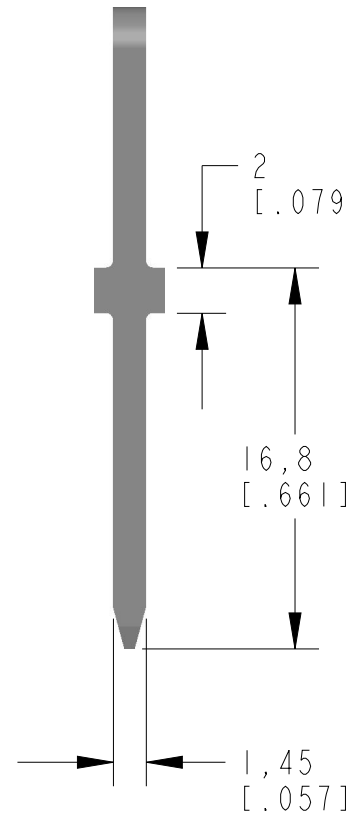
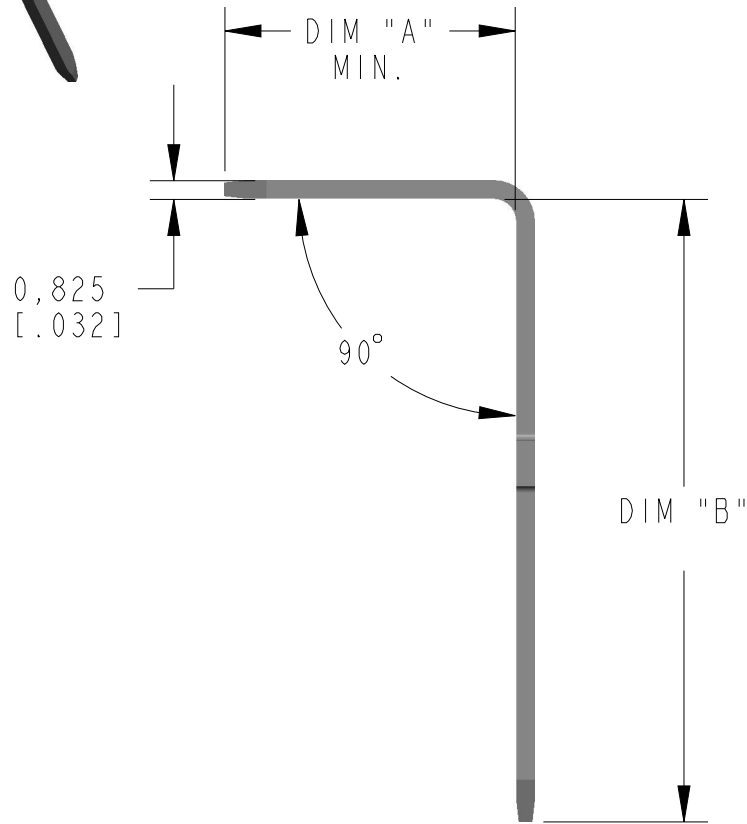


TERMINAL

MATERIAL: COPPER ALLOY

PLATING: TBD BY CUSTOMER

DIMENSIONS IN MM [INCHES]



FORMED TERMINAL		DIM "A" MIN.	DIM "B"
PART NUMBER	PLATING		
8000T 122-1	SEE NOTE	10.90 [.429]	24.45 [.963]
8000T 122-2	SEE NOTE	14.70 [.579]	30.45 [1.199]

DWG: 8000T 122-1/-2