

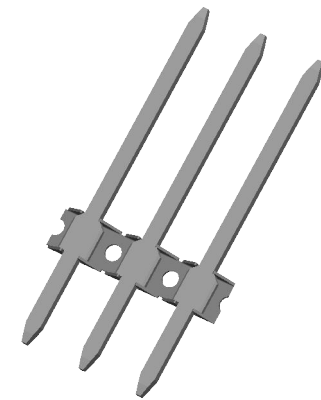
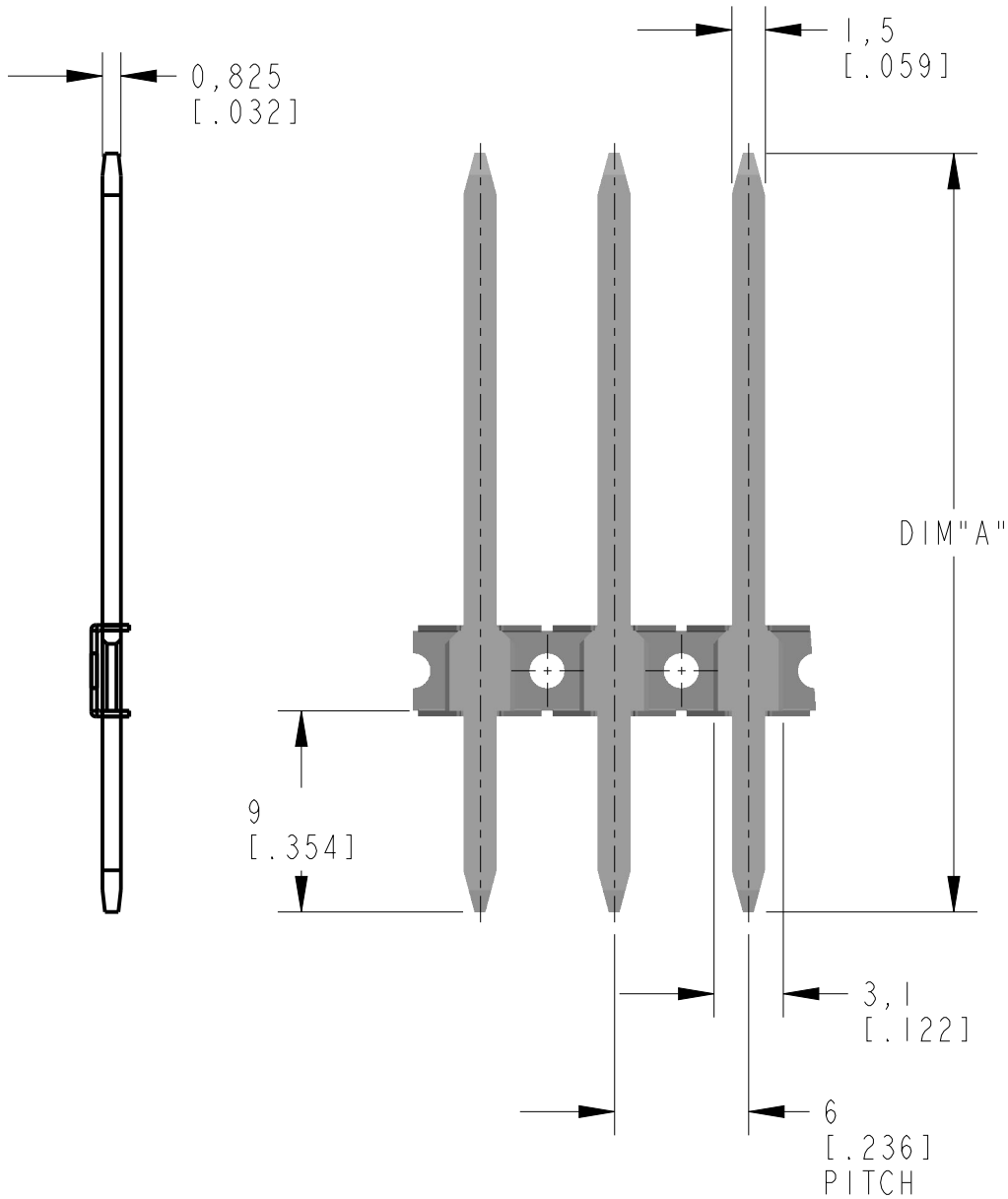
PART NUMBER	DIM "A"
8000T 123-2	40.2 [1.582]
8000T 123-1	27.7 [1.091]

TERMINAL

MATERIAL: PIN - COPPER ALLOY
 BANDOLIER - COPPER ALLOY OR C.R. STEEL

PLATING - TBD BY CUSTOMER

DIMENSIONS IN MM [INCHES]



DWG: 8000T 123-1/-2