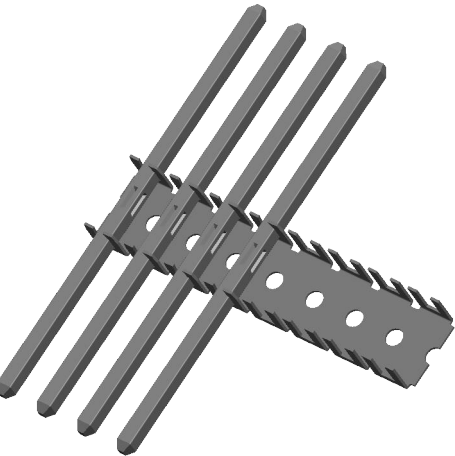
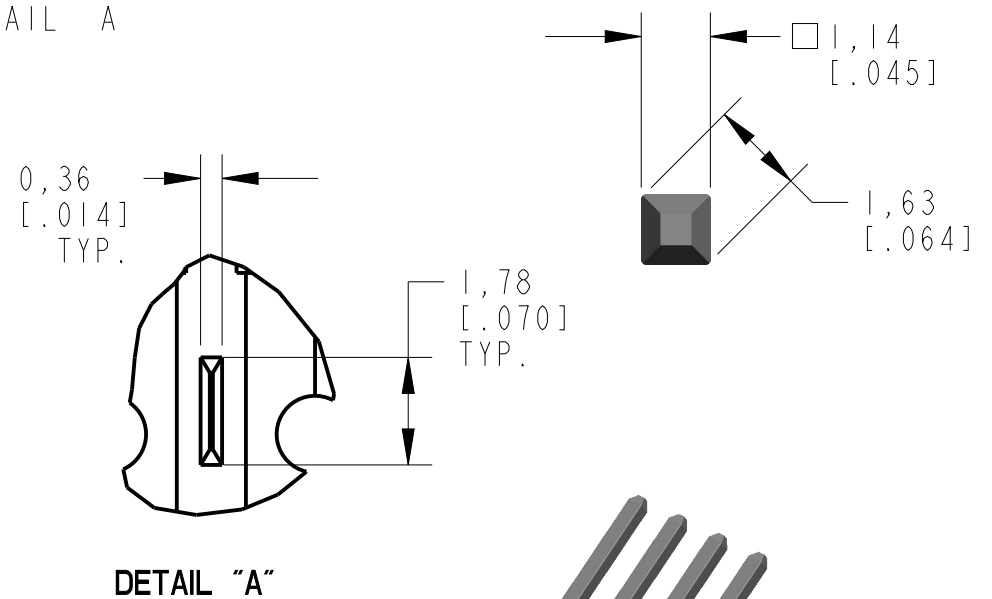
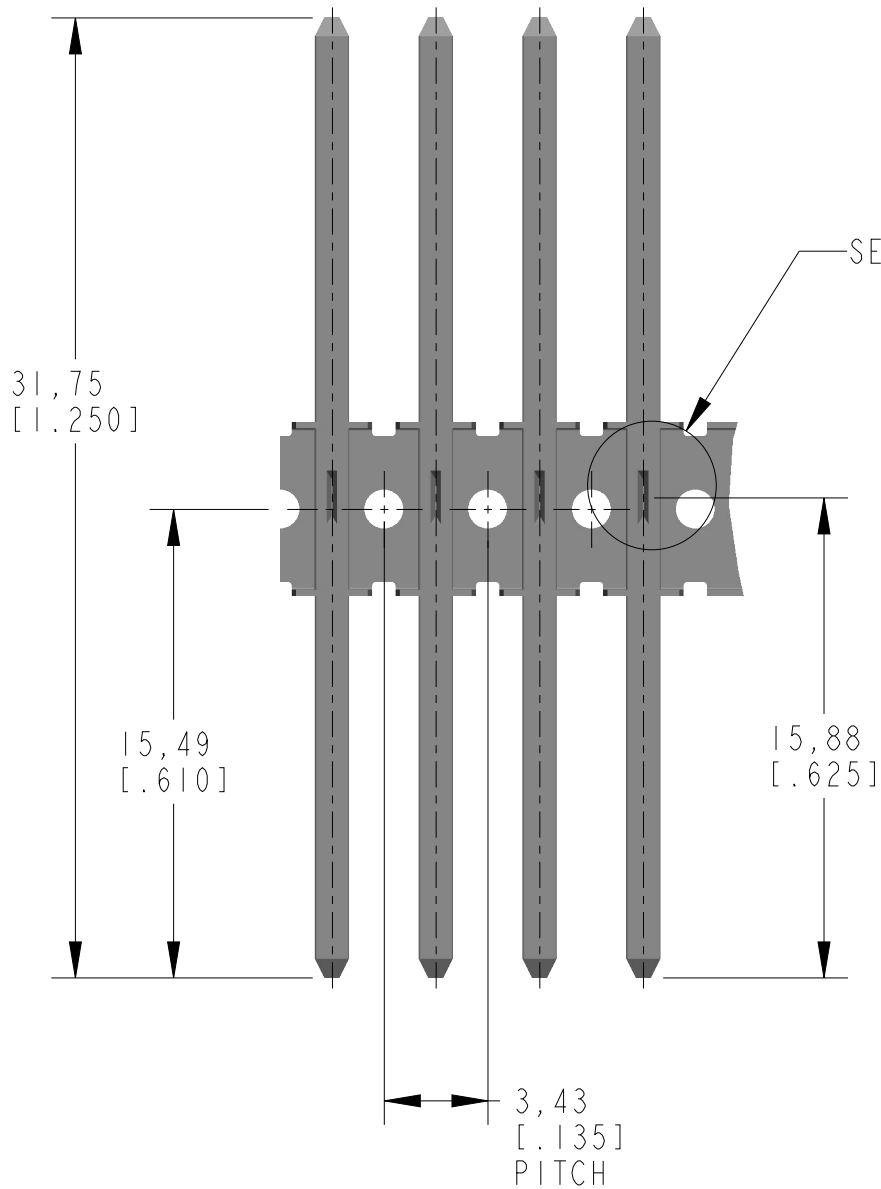


# TERMINAL

MATERIAL: TERMINAL - COPPER ALLOY  
BANDOLIER - C.R. STEEL

PLATING: TBD BY CUSTOMER

DIMENSIONS IN MM [INCHES].



DWG: 8000T 126