

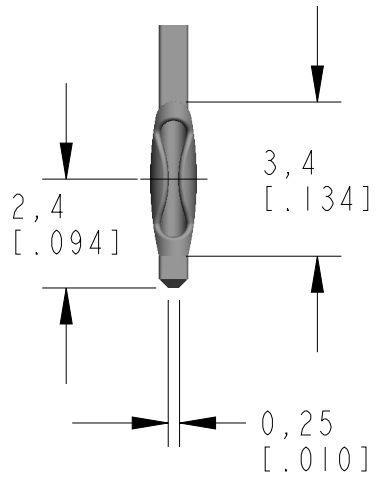
0,64
[.025]

TERMINAL, COMPLIANT

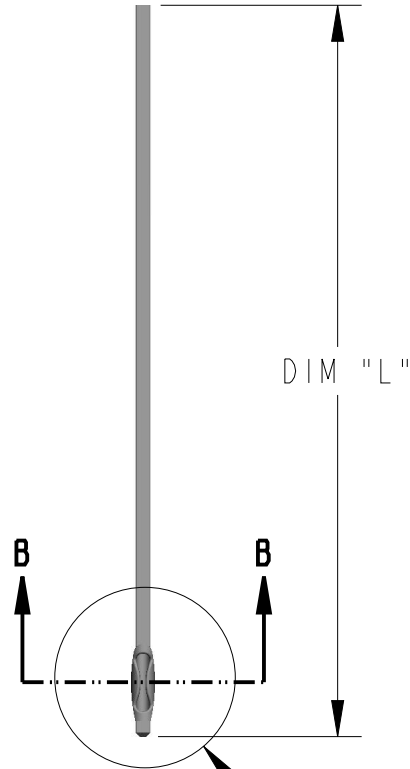
MATERIAL: PIN - COPPER ALLOY
BANDOLIER - COPPER ALLOY OR C.R. STEEL

PLATING: TBD BY CUSTOMER

DIMENSION IN MM [INCHES]

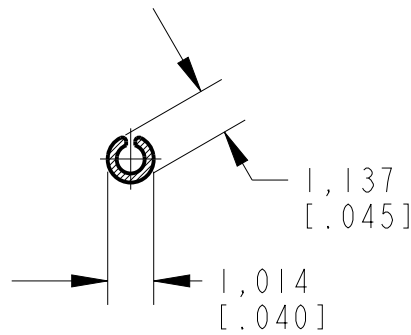


DETAIL "A"

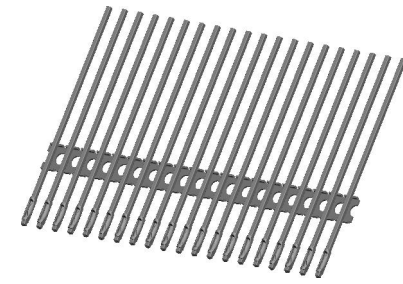


DIM "L"

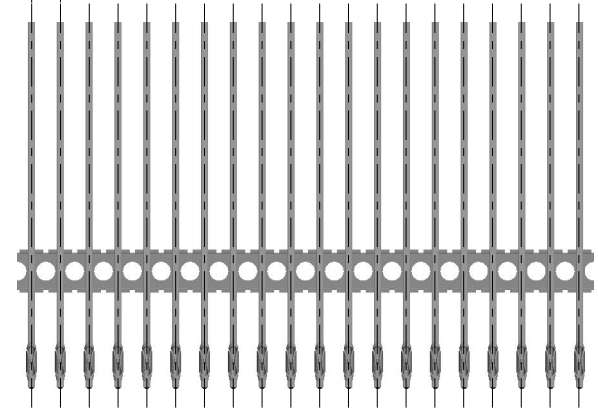
SEE DETAIL A



SECTION B-B



2,54
[.100]
PITCH



APPLICATION TABLE

PART NO.	DIM. "L" LENGTH	TOLERANCE
8000T 127-1	32.25 [1.270]	±0.125 [.005]
8000T 127-2	34.25 [1.348]	±0.125 [.005]

DWG: 8000T 127-11-2