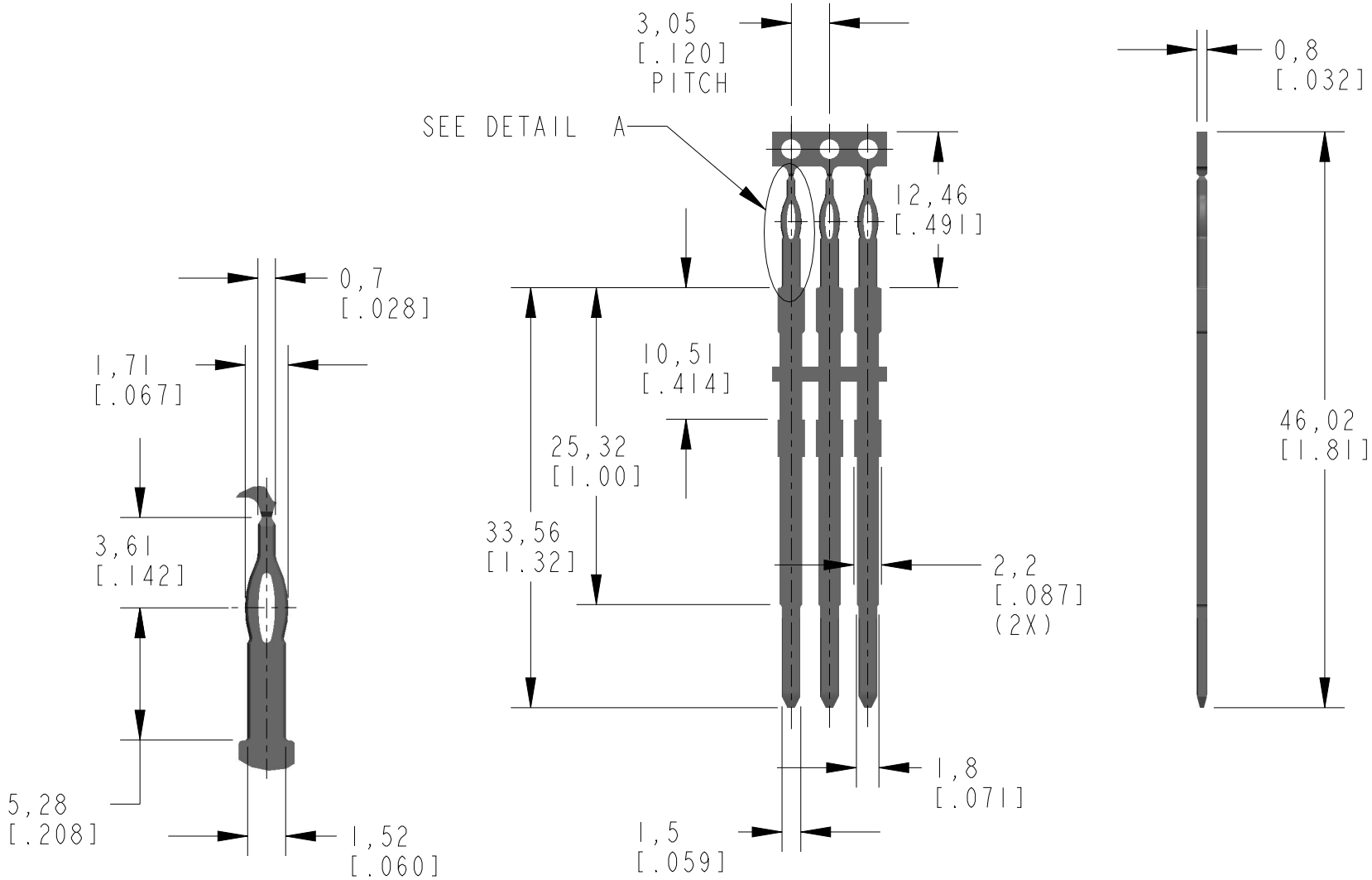


TERMINAL, COMPLIANT

MATERIAL: COPPER ALLOY

PLATING: TBD BY CUSTOMER

DIMENSIONS IN MM [INCHES]



DETAIL "A"