

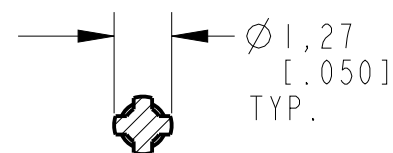
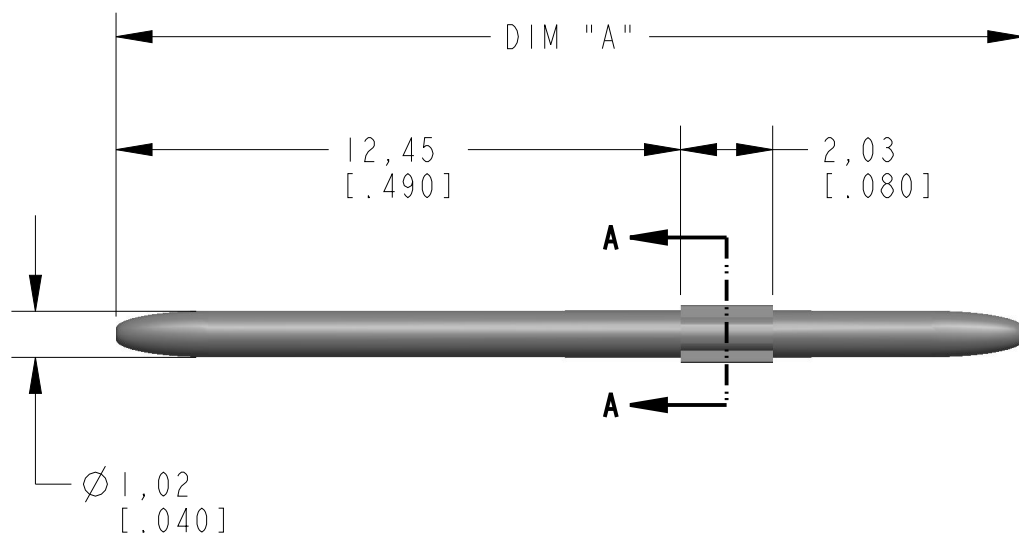


TERMINAL, COMPLIANT

MATERIAL: COPPER ALLOY

PLATING: TBD BY CUSTOMER

DIMENSIONS IN MM [INCHES].



SECTION A-A

PART NUMBER	DIM "A"
8000T 103-1	20,01 [.788]
8000T 103-2	19,30 [.760]