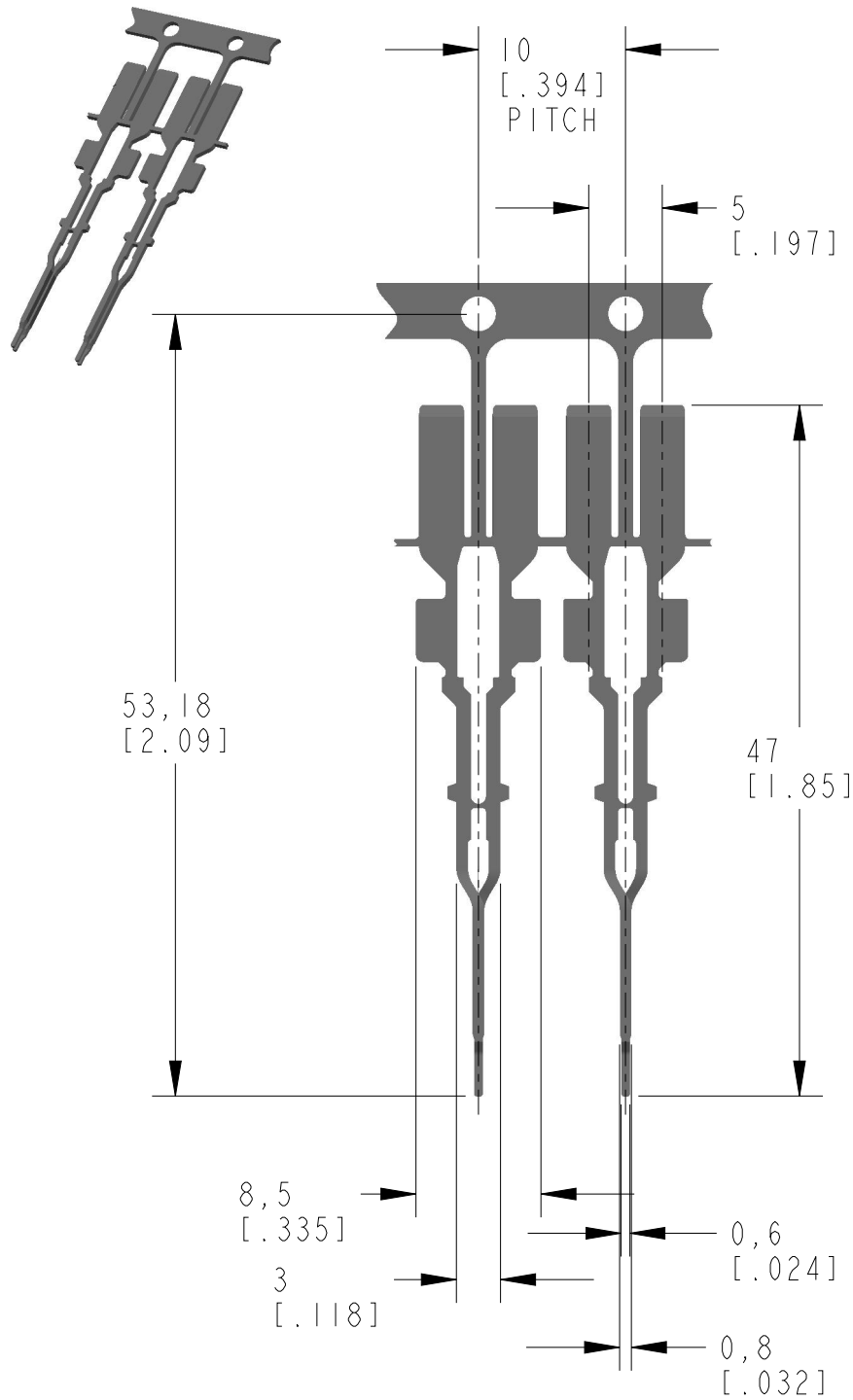


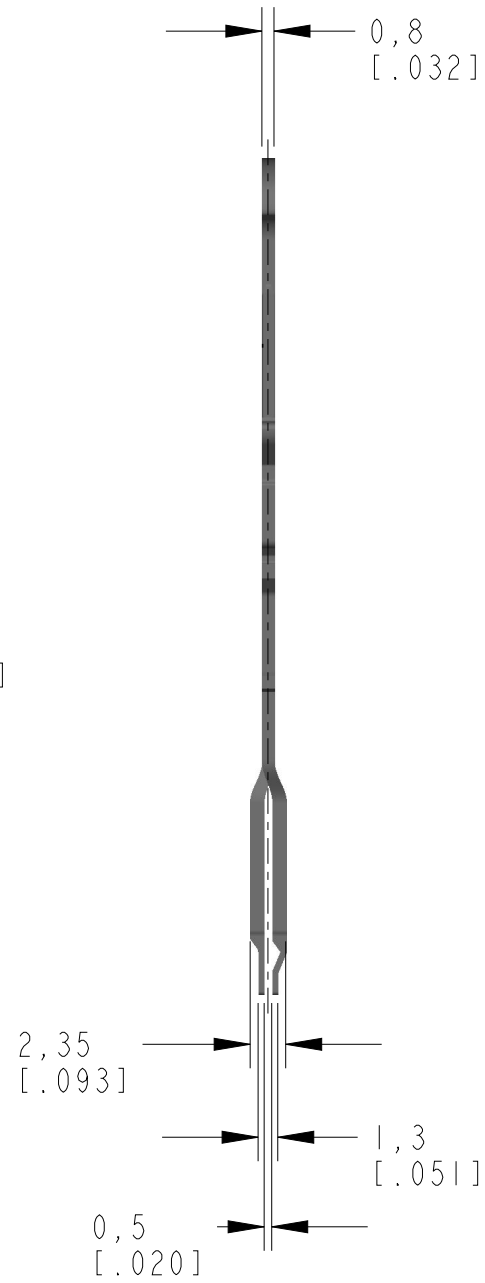
TERMINAL



MATERIAL: S.STEEL

PLATING: TBD BY CUSTOMER

DIMENSION IN MM [INCHES]



DWG: 8000T 135