

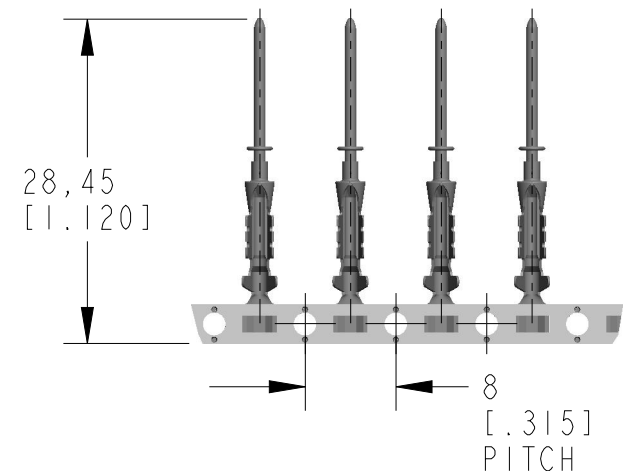
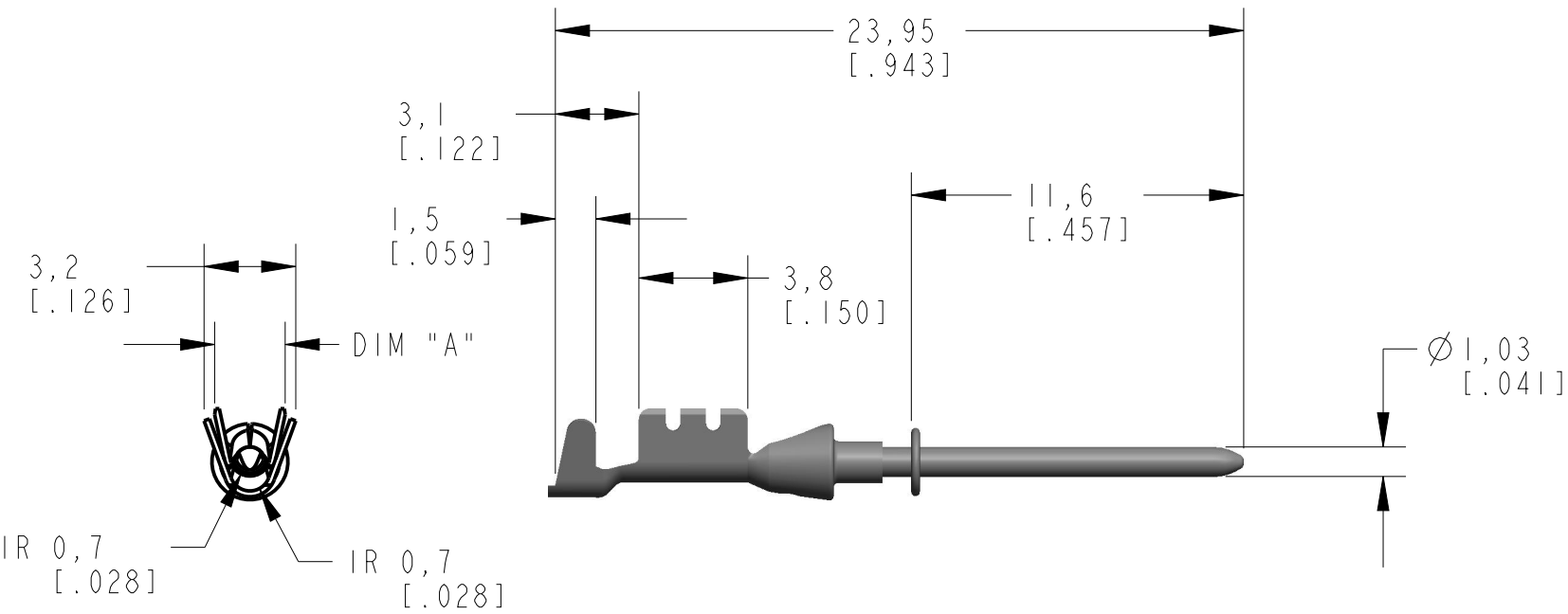


TERMINAL PIN

MATERIAL: PIN - COPPER ALLOY

PLATING: TBD BY CUSTOMER

DIMENSIONS IN MM [INCHES]



PART NUMBER	CABLE			WING DIM.
	SIZE MM [INCHES]	DIA±0.08 [.003]	I.D. NO.	DIM "A"±0.2 [.008]
8000T 137-2	0.35-0.5 [.014-.020]		21	2.3 [.091]
8000T 137-1	0.5-0.8 [.020-.032]	20.4 [.803]	18/20	2.8 [.110]

DWG: 8000T 137-1/-2