

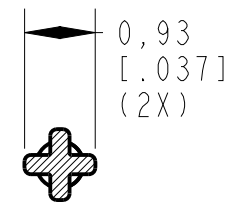
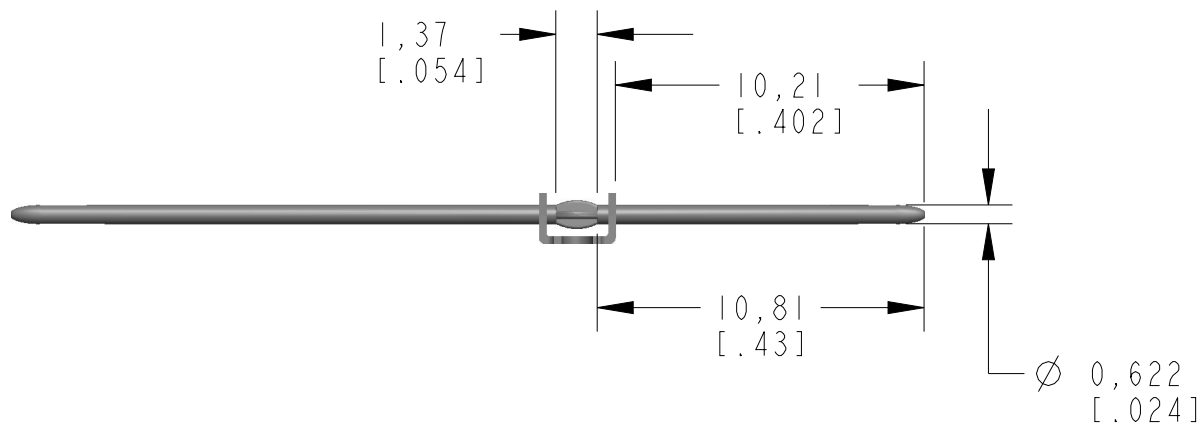
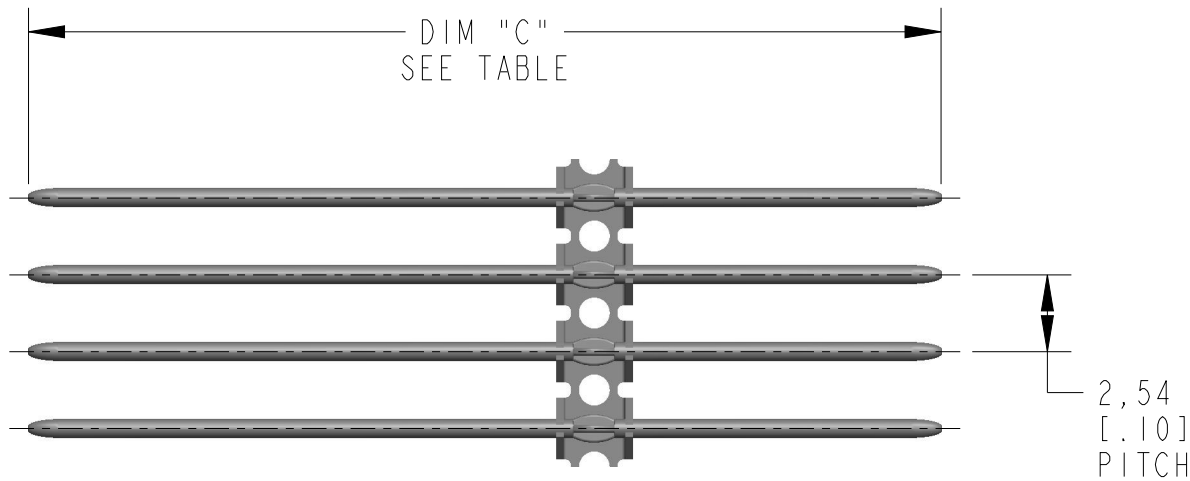
PART NUMBER	DIM "C" ±0.18 [.007]
8000T 139-1	30.18 [1.188]
8000T 139-2	25.10 [.988]

TERMINAL, COMPLIANT PIN

MATERIAL : TERMINAL - COPPER ALLOY
 BANDOLIER - COPPER ALLOY OR C.R. STEEL

PLATING : TBD BY CUSTOMER

DIMENSION IN MM [INCHES]



STAR SECTION
SCALE 10:1