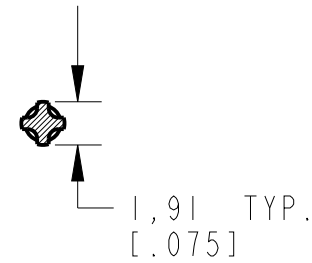
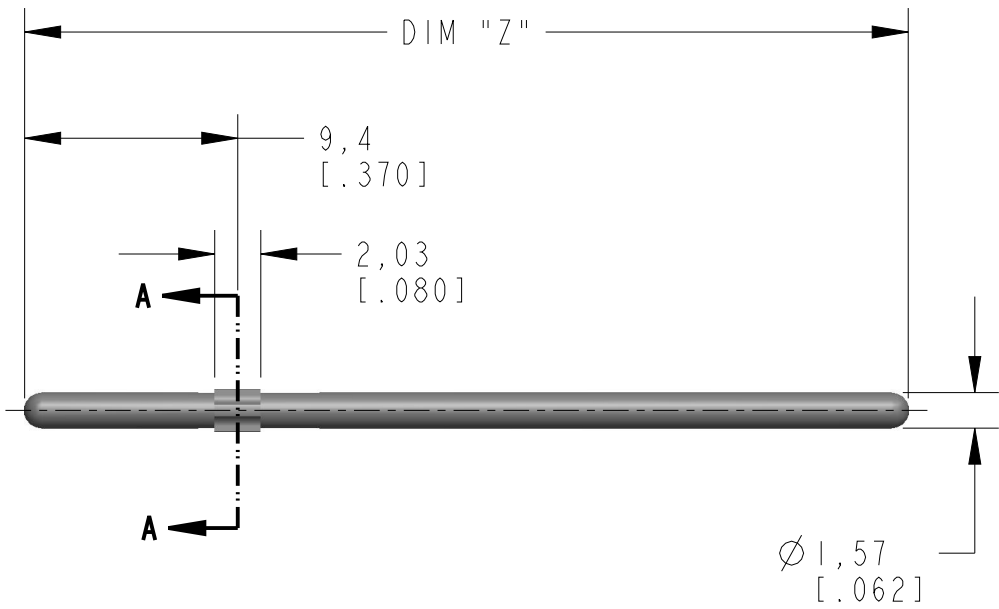


# CONTACT, COMPLIANT PIN TAIL

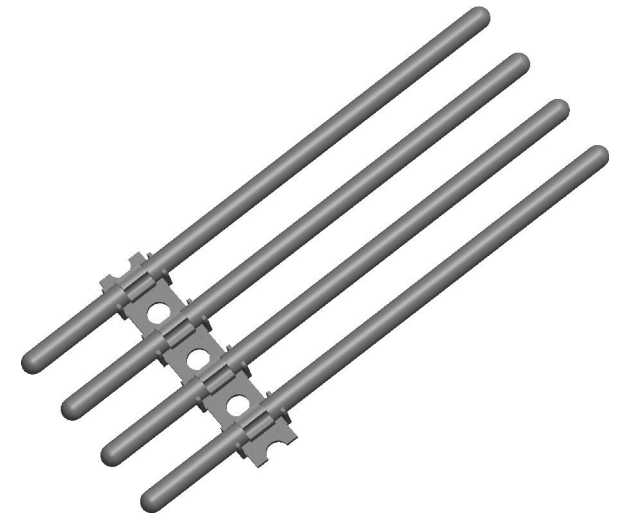
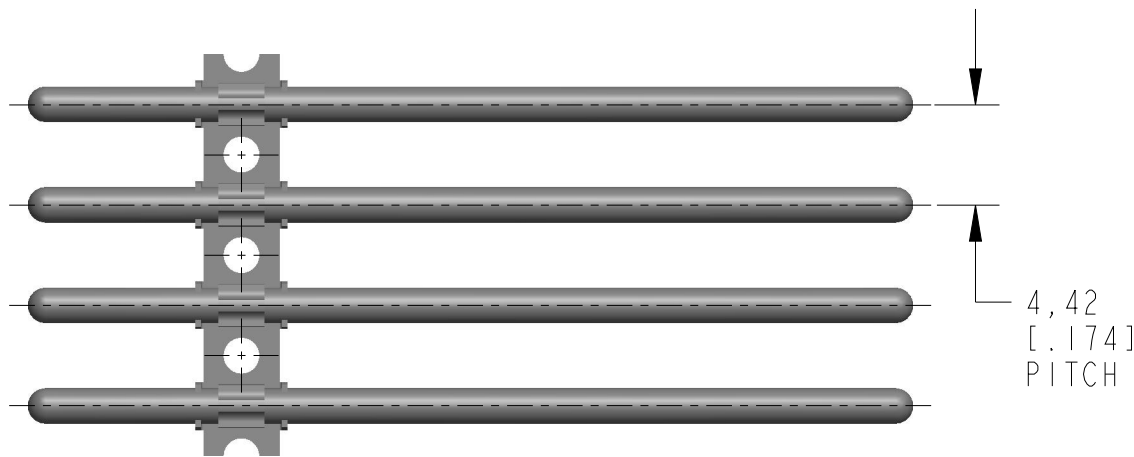
MATERIAL CONTACTS: COPPER ALLOY  
 BANDOLIERS: COPPER ALLOY OR CR STEEL

PLATING: TBD BY CUSTOMER

DIMENSIONS IN MM [INCHES]



SECTION A-A



## PART NUMBER TABLE

PART NUMBER	DIM "Z"
8000T 104-1	38,97 [1.534]
8000T 104-2	48,26 [1.900]
8000T 104-3	57,55 [2.266]
8000T 104-4	66,85 [2.632]