

COMPONENT DIMENSIONS

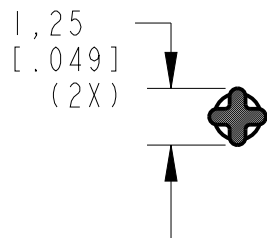
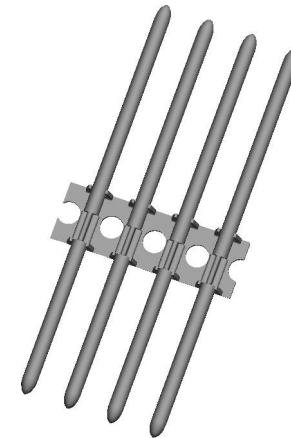
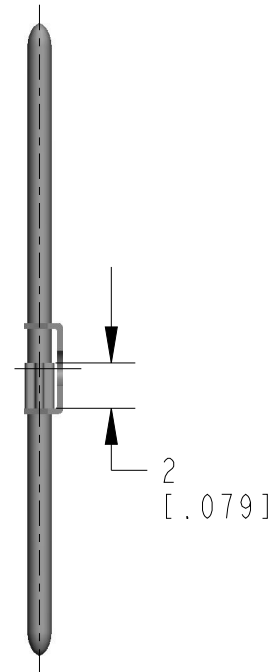
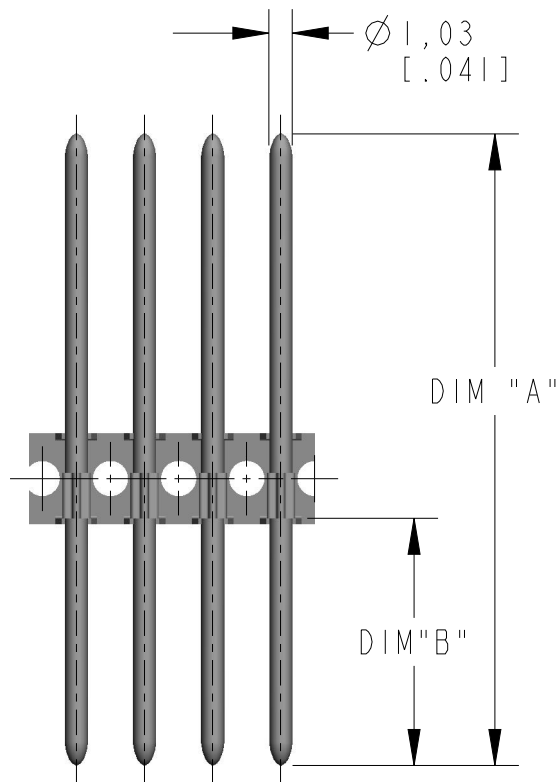
PART NUMBER	DIM "A"	DIM "B"
8000T 106-1	26.40 [1.039]	10.0 [.394]
8000T 106-2	24.15 [.951]	10.5 [.413]

**TERMINAL, COMPLIANT PIN**

MATERIAL: PIN - COPPER ALLOY  
 BANDOLIER - C.R. STEEL OR COPPER ALLOY

PLATING: TBD BY CUSTOMER

DIMENSION IN MM [INCHES]



CROSS SECTION  
 STAR TYPE CRIMP

3  
[.118]  
PITCH

DWG: 8000T 106-1/-2