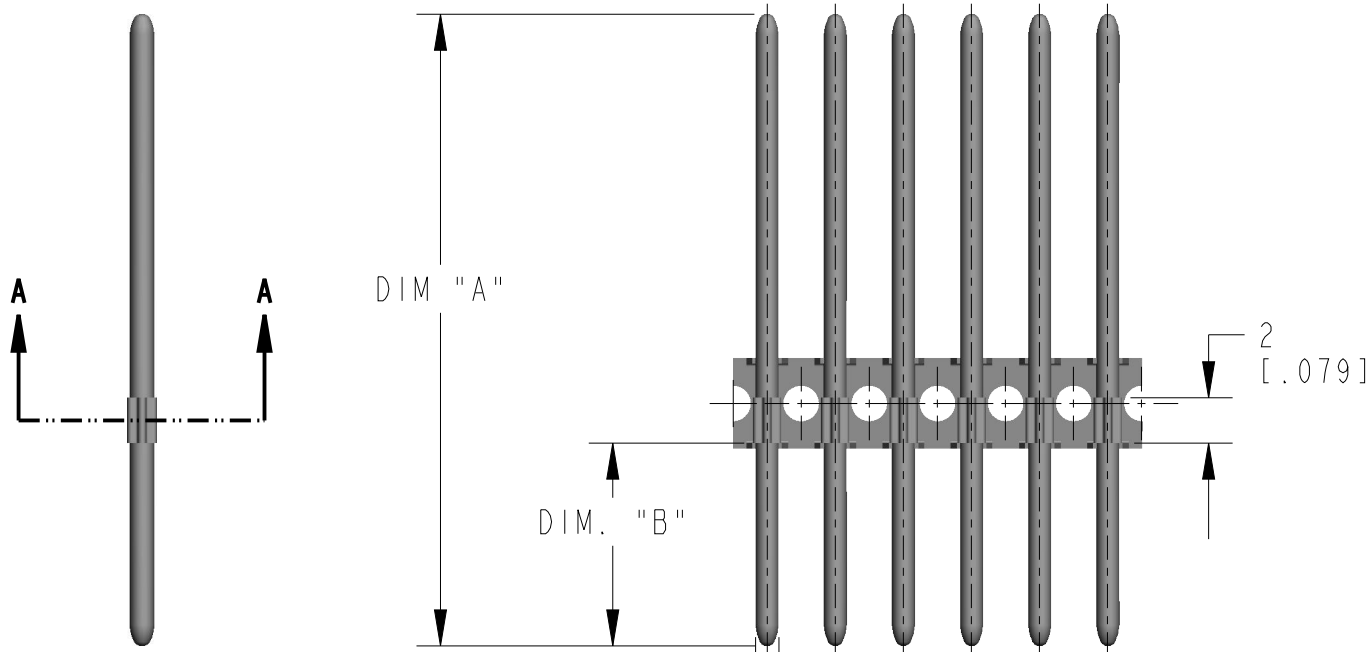


TERMINAL, COMPLIANT PIN

MATERIAL: PIN - COPPER ALLOY
 BANDOLIER - C.R. STEEL OR COPPER ALLOY

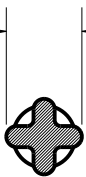
PLATING: TBD BY CUSTOMER

DIMENSION IN MM [INCHES]



STAR DIM.
 OPTION 2
 1,15
 [.045]

STAR DIM.
 OPTION 1
 1,25
 [.049]



SECTION A-A

DWG: 8000T 107-1/-6

PART NUMBER	DIM "A"	DIM "B"	STAR
8000T 107-1	20 [.787]	3.92 [.154]	I
8000T 107-2	24.3 [.957]	10.9 [.429]	I
8000T 107-3	22 [.866]	9.45 [.372]	I
8000T 107-4	52.3 [2.059]	10.9 [.429]	I
8000T 107-5	36.4 [1.433]	10.9 [.429]	II
8000T 107-6	29.4 [1.157]	10.9 [.429]	II