

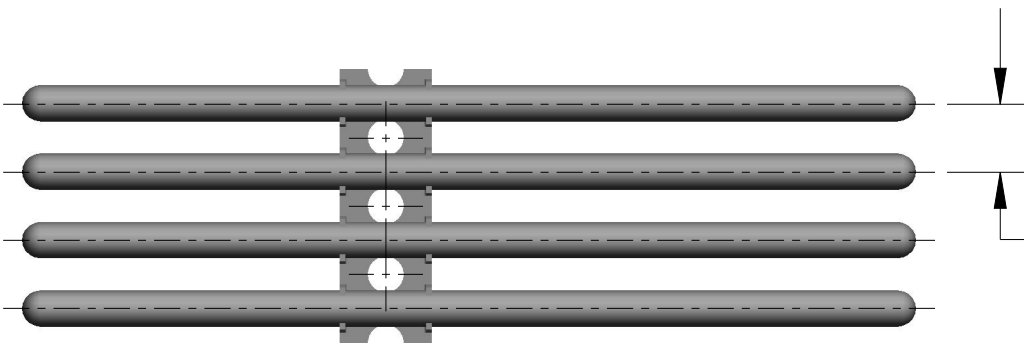
PART NO.	"A" LENGTH
8000T 108-1	52,96 [2.333]
8000T 108-2	39,40 [1.551]

TERMINAL PIN

MATERIAL: PIN - COPPER ALLOY
 BANDOLIER - C.R. STEEL OR COPPER ALLOY

PLATING: TBD BY CUSTOMER

DIMENSIONS IN MM [INCHES]



3
[.118]
PITCH

