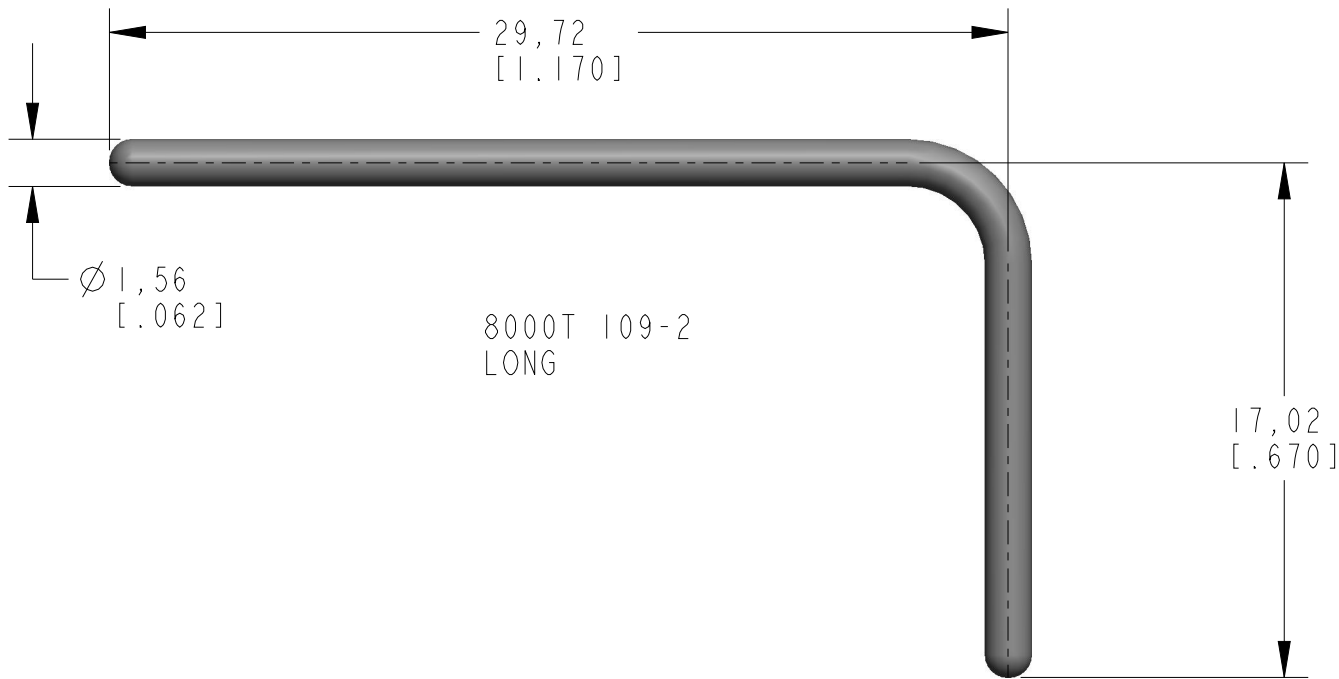
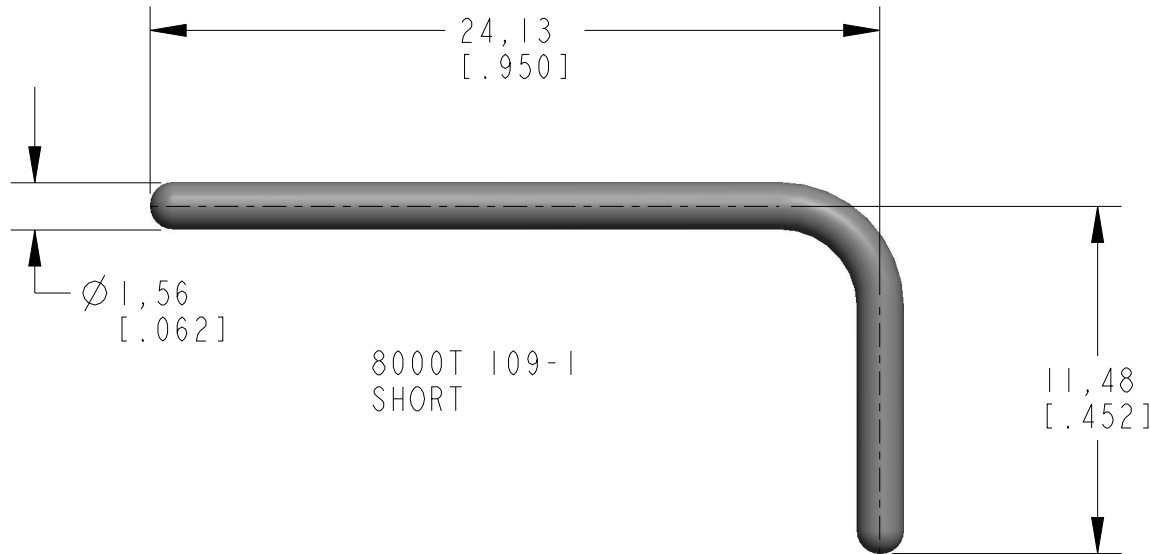


90° CONTACT PIN SHORT AND LONG

MATERIAL: COPPER ALLOY
PLATING: TBD BY CUSTOMER
DIMENSIONS IN MM [INCHES]



DWG: 8000T 109-1 (SHORT)
8000T 109-2 (LONG)